



EQUIPAGGIAMENTI
TECNICI
LAVAGGIO

30.3230.00
RP 120-280 Rubinetto Pneumatico
RP120-280 Air Compressed on-off Gun



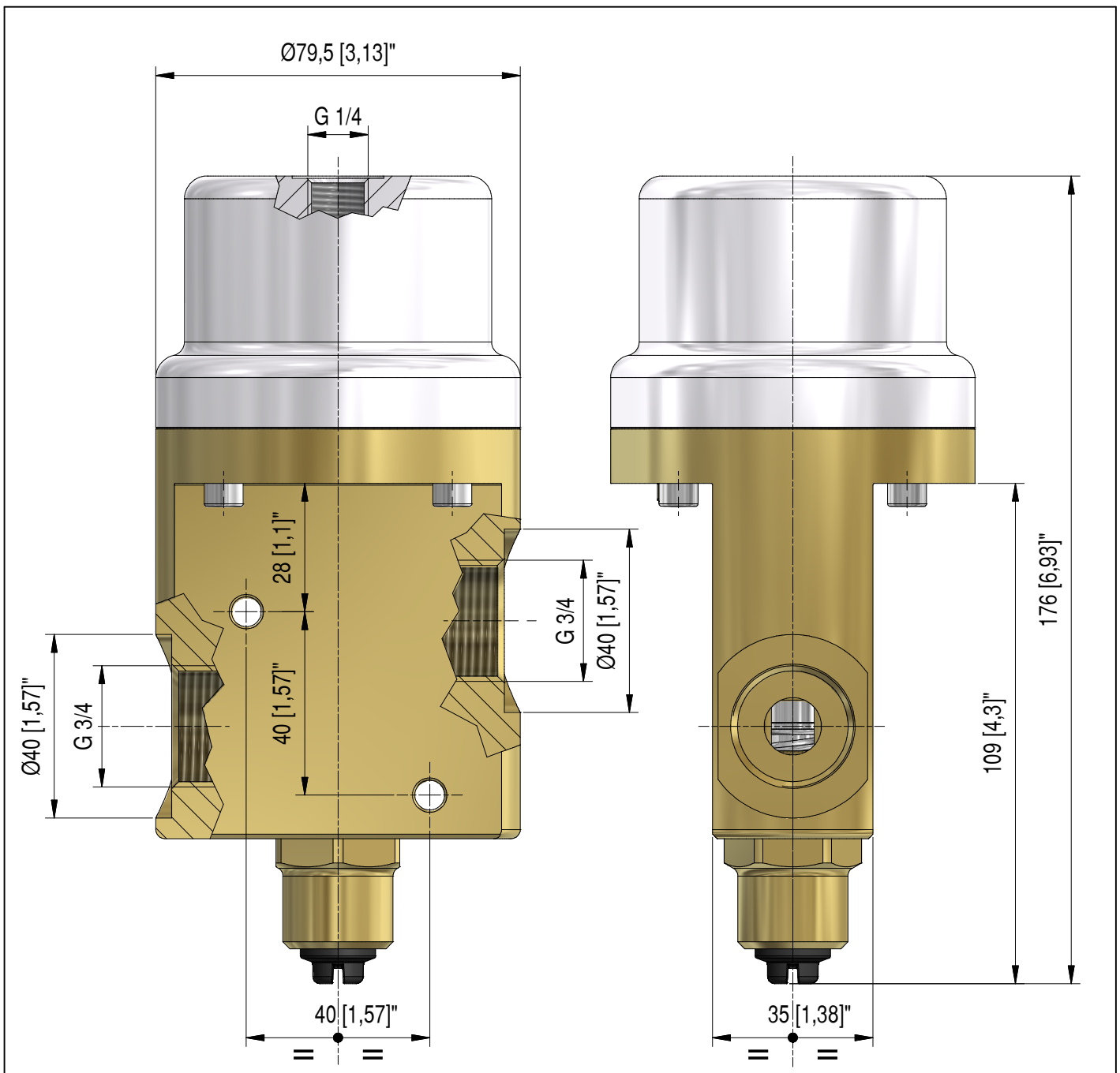
2

15/06/12

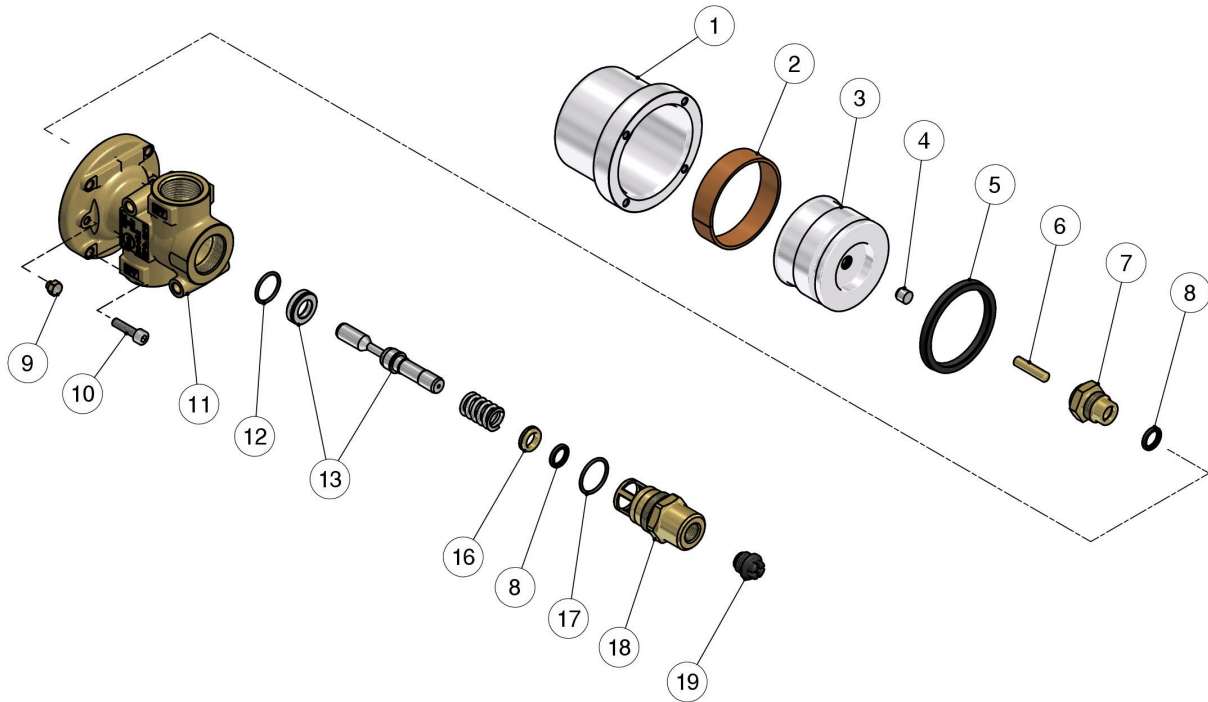
CARATTERISTICHE TECNICHE - SPECIFICATIONS

- PRESSIONE NOMINALE RATED PRESSURE	280 bar - 28 MPa (4050 psi)
- PRESSIONE CONSENTITA PERMISSIBLE PRESSURE	310 bar - 31 MPa (4500 psi)
- PORTATA MASSIMA MAX FLOW RATE	120 l/min (32 USG p.m.)
- TEMPERATURA MASSIMA MAX WORKING TEMPERATURE	90° C (195° F)
- MASSA WEIGHT	2280 g (80,4 oz.)

MISURE D'INGOMBRO - OVERALL DIMENSIONS



30.3230.00 RP120/280 3/4FF Bsp air compr.on-off gun



Pos.	P/N	Description	Q.ty	K1	K2	K3	K4		Pos.	P/N	Description	Q.ty	K1	K2	K3	K4	
1	30.3206.41R	Jacket, Al -RP120	1					3	10	16.1873.00R	Screw, DIN912 M5x20 mm Sst.	4					10
2	30.3204.85R	Bushing, opn. 181x14,8mm PTFE	1					5	11	30.3231.35R	Brass hous.-RP120280-3/4" Bsp FF	1					2
3	30.3207.41R	Piston, RP120	1					2	12	10.3068.01R	RO-ring, 1,78x17,17 mm Ni 85	1	•				10
4	30.0675.51R	Stop pin, 8x7,1mm Sst.	1					10	13	30.4045.24	Piston+Seat Kit, -RL204	1	•				1
5	10.2060.50R	Piston seal, 60x50x5 mm	1					3	15	30.4042.51R	Spring, 2,4x15,3x30 mm Sst.	1	•				10
6	30.4041.51R	Parallel sst.pin, 6x25,8 mm	1					5	16	30.4040.31R	Spacer ring, 10,1x15,8x3,8 mm brass	1					3
7	30.4038.31R	Front plug, M18x1,5 brass	1					10	17	10.3072.01R	RO-ring, 1,78x20,35 mm Ni 85	1	•				10
8	10.2027.00R	Stem seal, 10x15x2,2 mm +O-ring	2	•				4	18	30.4037.31R	Spring holder, 1/4F Bsp-M26x1M brs.	1					5
9	13.0805.00R	Screw M5 brass	2					3	19	30.5815.84R	Plug, 1/4M Bsp DIN259 Plast. black	1					10
Kit	P/N	Description															
K1	30.4046.24	Spares kit -RL204, 6x1pcs.						1									