

* Fissare con Loctite 542 col. ROSSO
 * Affix with Loctite 542 col. RED
 * Fixer avec de la Loctite 542 couleur ROUGE
 * Mit Loctite 542 ROT befestigen
 * Fijar con Loctite 542 col. ROJO
 * Fixar com Loctite 542 cor. VERMELHA



WS82 - WS101 - WS133
W912 - W913 - WS102
WS131 - WS151
WS171 - WS201 - W916
WS152 - WS202 - W921
W914 - W922

PISTONE – PISTON Ø20

OTTONE BRASS

WS82 - WS101 - WS133
W912 - W913 - WS102
WS131 - WS151 - WS171
W914

NICKEL

WS201 - W916 – WS152
WS202 – W921 – W922

KIT RICAMBI – SPARE KITS

OTTONE BRASS

NICKEL

PISTONE - PISTON Ø20

KIT Nr.	KIT 1	KIT 2	KIT 3	KIT 6	KIT 4	KIT 5	KIT 7	KIT 10	KIT 28	KIT 69	KIT 71
Posizioni incluse Positions included	4-5 6-7 8 (11)	16	41	31-34 36-37 38	9-10	9-10	45	42-43	42-43 44-45 46-47 56	44-47 56	46-47
Nr. Pcs.	6	3	2	3	6	6	6	3	1	3	3

DISTINTA – SPARE PARTS

POS	COD.	DESCRIZIONE – DESCRIPTION - KIT	NR
1	47.1201.41	Testata Ø 20	1
	47.1202.41	Testata Ø 20 – NICKEL	1
2	99.3206.00	Vite M8x70 UNI 5737	8
3	96.7020.00	Rosetta Ø 8 UNI 1736	8
4	90.3841.00	OR Ø 17.13x2.62 (3068)	1 6
5	36.2003.66	Sede valvola	1 6
6	36.2001.76	Valvola	1 6
7	94.7376.00	Molla Ø 9.4x14.8	1 6
8	36.2002.51	Guida valvola	1 6
9	90.3847.00	OR Ø 20.24x2.62 (3081)	4-5 6
	98.2220.00	Tappo M24x2x16.5	4 6
	98.2222.00	Tappo M24x2x16.5 - NICKEL	5 6
11	36.7032.01	Gruppo valvola	1 6
12	99.3039.00	Vite M8x16 UNI 5931	8
13	47.1511.22	Coperchio cuscinetto	1
14	90.3913.00	OR Ø 67.95x2.62 (3325)	2
	91.8375.00	Cuscinetto 32206	2
	91.8377.00	Cuscinetto 32206 - WS152-WS202-W921	2
16	90.1625.00	Anello rad. Ø 22x32x2.5	2 3
17	90.9126.00	Boccola Ø 22x25x30	3
18	47.0100.22	Carter	1
	47.0102.22	Carter - WS152-WS202-W921	1

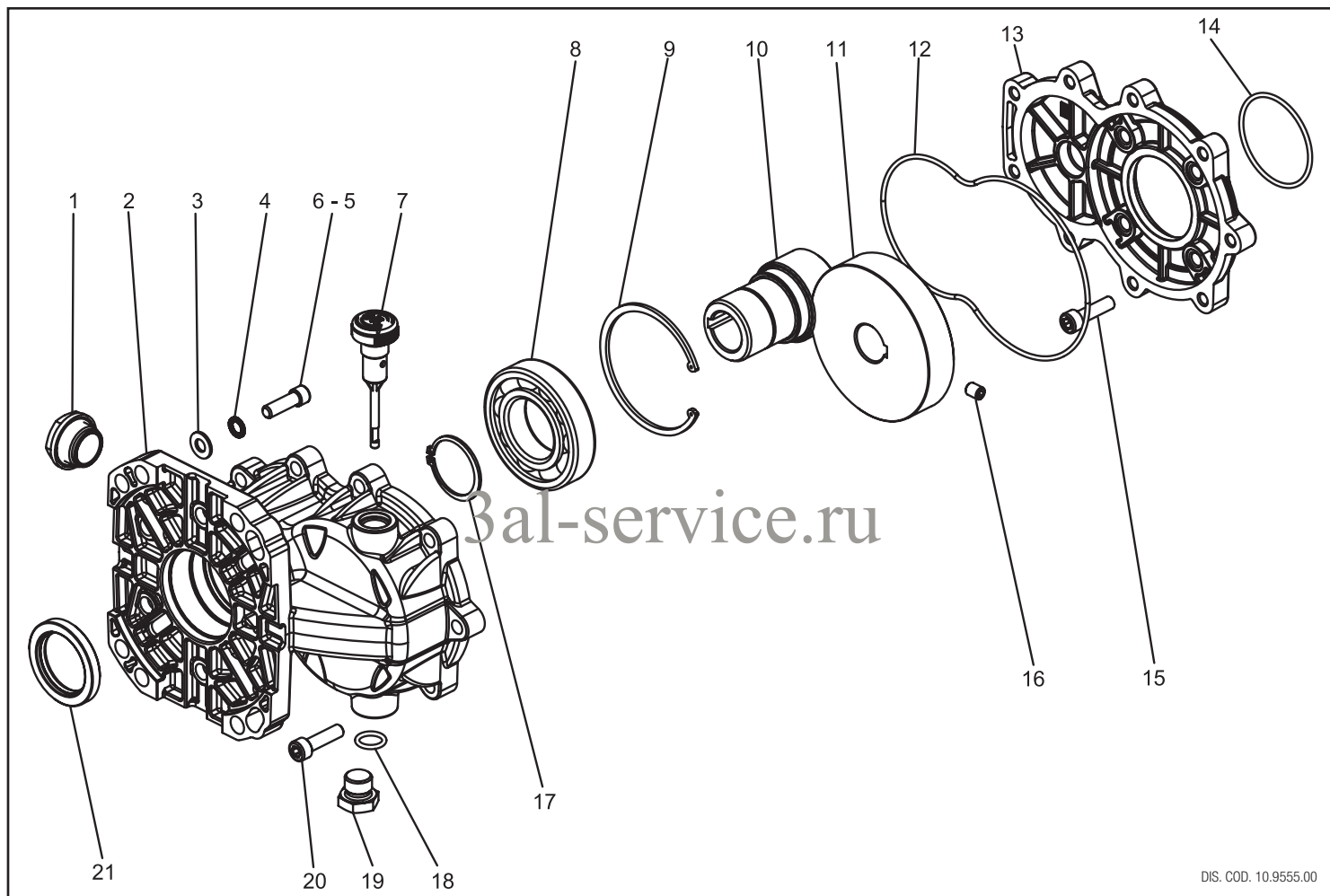
POS	COD.	DESCRIZIONE – DESCRIPTION - KIT	NR
19	98.2106.00	Tappo carico olio G 3/8"	1
20	90.3922.00	OR Ø 133.02x2.62 (3525)	1
21	47.0204.35	Albero - WS102	1
	47.0206.35	Albero - WS151-WS201-W916-W914-W922	1
	47.0210.35	Albero - WS131	1
	47.0215.35	Albero - WS171	1
	47.0217.35	Albero - WS82-WS152-WS202	1
	47.0218.35	Albero - WS101-W912	1
22	47.0219.35	Albero - WS133-W913-W921	1
	47.0230.35	Albero - W914-W922	1
22	90.0557.00	Anello di fermo Ø 12	6
23	91.4810.00	Linguetta 8x7x35 UNI 6604	1
24	67.7310.00	Spinnetto Ø 13x35	3
25	47.0503.56	Guida pistone - WS201-W916-WS152-W922 WS202-W921	3
	47.0504.54	Guida pistone - WS82-WS101-WS133-W912 W913	3
	47.0505.54	Guida pistone - WS102-WS131-WS151 WS171-W914	3
26	47.0300.01	Biella completa	3
27	99.1837.00	Vite M6x14 UNI 5931 - WS82-WS101 WS133-W912-W913	5
	99.1912.00	Vite M6x30 UNI 5931 - WS102-WS131 WS151-WS171-WS201-W916-WS152-WS202 W921-W914-W922	5
28	47.1600.22	Coperchio carter - WS82-WS101-WS133 W912-W913	1
	47.1601.22	Coperchio carter - WS102-WS131-WS151 WS171-WS201-W916-WS152-WS202-W921 W914-W922	1
29	97.5968.00	Spia livello olio G 3/4"	1
30	98.2041.00	Tappo G 1/4"x9	1
31	90.3585.00	OR Ø 10.82x1.78 (2043)	6 4
32	99.3099.00	Vite M8x35 UNI 5931	6

POS	COD.	DESCRIZIONE – DESCRIPTION - KIT	NR
34	96.7286.00	Rosetta Ø 14x28x0.5	3
35	47.0404.09	Pistone Ø 20	3
36	90.5067.00	Anello antiest. Ø 11x14x1.5	6 3
37	96.7280.00	Rosetta Ø 14x18.5x0.5	6 3
38	47.2195.66	Vite fissaggio pistone	6 3
39	47.1510.22	Coperchio cuscinetto	1
40	97.5678.00	Spessore	2
41	90.1648.00	Anello rad. Ø 30x55x7	3 1
42	90.3616.00	OR Ø 34.65x1.78 (2137)	10-28 3
43	47.0805.70	Anello di fondo Ø 20	10-28 3
44	90.2705.00	Anello tenuta Ø 20 H.P.	28-69 3
45	47.1000.51	Anello di testa Ø 20	7-28 3
46	47.2169.70	Anello intermedio Ø 20	28-71 3
47	90.2704.00	Anello RESTOP Ø 20	28-69-71 3
48	47.2000.74	Piedino	2
49	99.3644.00	Vite M10x18 UNI 5931	4
50	96.7106.00	Rosetta Ø 10 DIN 7980	4
51	98.2176.00	Tappo G 1/2"x10	1
52	96.7514.00	Rosetta Ø 21.5x27x1.5	1
53	98.2100.00	Tappo G 3/8"x13	1
54	96.7380.00	Rosetta Ø 17.5x23x1.5	1
56	90.2710.00	Anello tenuta Ø 20 L.P.	28-69 3

RS 500

For/Per:
SERIES-SERIE 47 - 66

REDUCTION GEAR FOR ENDOTHERM MOTORS RIDUTTORE PER MOTORI ENDOTERMICI



DIS. COD. 10.9555.00

POS.	CODE CODICE	DESCRIPTION DESCRIZIONE	N. PCS.
1	97.5968.00	Spia livello olio G 3/7"x11.5	1
2	10.0756.22	Scatola riduttore RS 500	1
3	96.7020.00	Rosetta Ø 8.4x15x1.5 - zinc.	4
4	96.7014.00	Rondella elastica Ø 8	4
5	99.2755.00	VTCEI 5/16"-24x1' ANSI B 18.2.1 - zinc.	4
6	99.3345.00	VTCEI 3/18"-16x1' ANSI B 18.2.1 - zinc.	4
7	98.2106.00	Tappo con asta G 3/8"x 64	1
8	91.8520.00	Cuscinetto 40x80x18 6208	1
9	90.0976.00	Anello 80 UNI 7437	1
	10.0233.55	Pignone z17 - Ø 25.4	1
10	10.0312.55	Pignone z17 - Ø 25	1
	10.0271.55	Pignone z17 - Ø 28.6	1
11	10.0234.55	Corona Z37	1

POS.	CODE CODICE	DESCRIPTION DESCRIZIONE	N. PCS.
12	90.3929.00	OR Ø 152.07x2.62 (3600)	1
13	10.0757.22	Coperchio riduttore RS 500	1
14	90.3880.00	OR Ø 42.52x2.62 (3168)	1
15	99.3085.00	VTCEI M8x30 UNI 5931 autofil. 8.8 - zinc.	4
16	99.3017.00	Vite M8x30 UNI 5929	1
17	90.0725.00	Anello 40 UNI 7435	1
18	90.3833.00	OR Ø 13.95x2.62 (3056)	1
19	98.2100.00	Tappo G 3/8"x13 ottone	1
20	99.3084.00	VTCEI M8x30 UNI 5931 8.8 - zinc.	9
21	90.1680.00	Anello rad. Ø 40x55x7	1