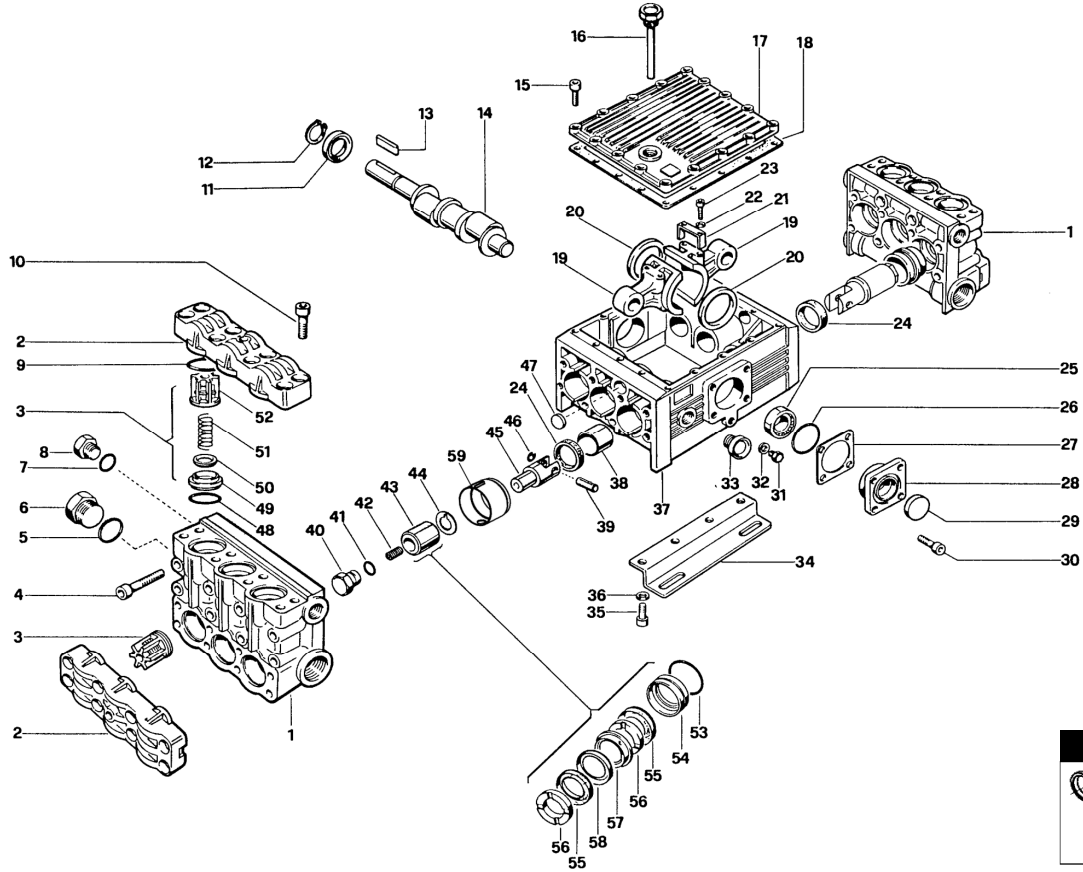
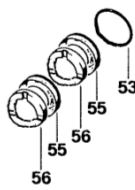


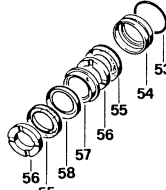
C2225-C2230-C2233



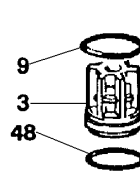
KIT 49



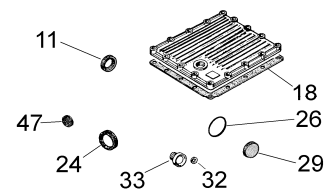
KIT 48



KIT 45



KIT 191



| POS. | CODICE PART NO. RÉF. | DENOMINAZIONE - DESCRIPTION - DESCRIPTION | Q.TY |
|---------------|----------------------|---|------|
| 1 | 730333282 | PUMP HEAD | 2 |
| 2 | 730126282 | VALVES COVER | 4 |
| 3-kit 45 | 739824973 | VALVES ASSY | 12 |
| 4 | 864120002 | BOLT TCEI M12X110 UNI 5931 | 16 |
| 5 | 803209002 | O-RING DIA.2,62X39,34 | 2 |
| 6 | 852740532 | PLUG G 1"1/4 | 2 |
| 7 | 803218002 | O-RING DIA.3X22 | 2 |
| 8 | 852693532 | CAP G3/4 | 2 |
| 9-kit 45 | 803263002 | O-RING DIA.3,53X42,86 | 12 |
| 10 | 864200002 | BOLT TCEI M14X40 UNI 5931 | 32 |
| 11-kit 191 | 802143002 | OIL SEAL | 1 |
| 12 | 801264002 | SNAP RING DIA.35 | 1 |
| 13 | 806585002 | TAB 10X8X5 | 1 |
| 14/1 | 730311262 | CRANKSHAFT C2225-2230 | 1 |
| 14/2 | 730319262 | CRANKSHAFT C2233 | 1 |
| 15 | 862216002 | BOLT M6X25 | 16 |
| 16 | 853519002 | OIL FILLING PLUG G 3/4 | 1 |
| 17 | 760002092 | CRANKCASE COVER | 1 |
| 18-kit 191 | 760065722 | GASKET | 1 |
| 19 | 760301112 | BRONZE CONROD | 6 |
| 20 | 760302762 | RING | 6 |
| 21 | 760303612 | CONROD FORK | 6 |
| 22 | 843651502 | WASHER DIA.5,3X9X0,9 | 12 |
| 23 | 861933002 | BOLT TCEI M5X14 UNI 5931 | 12 |
| 24-kit 59-191 | 802180002 | OIL SEAL DIA.40X55X7 | 6 |
| 25 | 812859002 | CONICAL ROLLER BEARING DIA.35X72X24,25 | 2 |
| 26-kit 191 | 803290002 | O-RING DIA.85,32X3,53 | 2 |
| 27 | 730060652 | SHIM | 1 |
| 28 | 730003092 | CRANKCASE COVER | 2 |
| 29-kit 191 | 802099602 | CAP | 1 |

| POS. | CODICE PART NO. RÉF. | DENOMINAZIONE - DESCRIPTION - DESCRIPTION | Q.TY |
|----------------|----------------------|---|------|
| 30 | 863696002 | BOLT TCEI M12X25 | 8 |
| 31 | 852579002 | PLUG G 3/8 | 1 |
| 32-kit 191 | 824109002 | COPPER GASKET DIA.17X22X1 | 1 |
| 33-kit 191 | 853515002 | OIL SIGHT GLASS | 1 |
| 34 | 730024612 | MOUNTING BRACKET | 2 |
| 35 | 863740002 | BOLT M12X30 UNI 5739 | 4 |
| 36 | 843906002 | WASHER DIA.13 | 4 |
| 37 | 760300082 | PUMP CRANKCASE | 1 |
| 38 | 804465002 | ANTI-FRICTION BUSH DIA.40X44X50 | 6 |
| 39 | 852007302 | PISTON PIN DIA.18X30 | 6 |
| 40 | 730051532 | CAP M12 | 6 |
| 41 | 803182502 | O-RING DIA.2,62X17,13 | 6 |
| 42 | 863900002 | SCREW STEI M12X40 | 6 |
| 43 | 730310182 | CERAMIC PISTON DIA.30 | 6 |
| 44 | 730305652 | BRASS WASHER | 6 |
| 45 | 730224512 | PLUNGER ROD | 6 |
| 46 | 800040002 | CIRCLIP DIA.18 | 12 |
| 47-kit 191 | 802089502 | CAP | 2 |
| 48-kit 45 | 803253002 | O-RING DIA.3,53X34,52 | 12 |
| 53-kit 48-49 | 803283002 | O-RING DIA.3,53X58,74 | 6 |
| 54-kit 48 | 730446532 | REAR GLAND DIA.30 | 6 |
| 55-kit 48-49 | 802165002 | V PACKING DIA.30X45X7,5 | 12 |
| 56-kit 48-49 | 730309322 | THRUST RING DIA.30X45 | 12 |
| 57-kit 48 | 730307532 | FRONT GLAND DIA.30 | 6 |
| 58-kit 48-49 | 730035322 | ANTIEXTRUSION RING | 6 |
| 59 | 730503322 | OIL SEAL SPACER (FROM 09/13) | 6 |
| 53-54-55-56-58 | 769843973 | KIT 206 FOR HOT WATER | 48 |
| REPAIR KIT | | ITEM NO.s INCLUDED | PCS. |
| kit 45 | 769800973 | SPARE PARTS KIT | 36 |
| kit 48 | 769801973 | SPARE PARTS KIT | 48 |
| kit 49 | 769802973 | SPARE PARTS KIT | 36 |
| kit 59 | 769812973 | SPARE PARTS KIT | 6 |
| kit 191 | 769842973 | SPARE PARTS KIT | 15 |