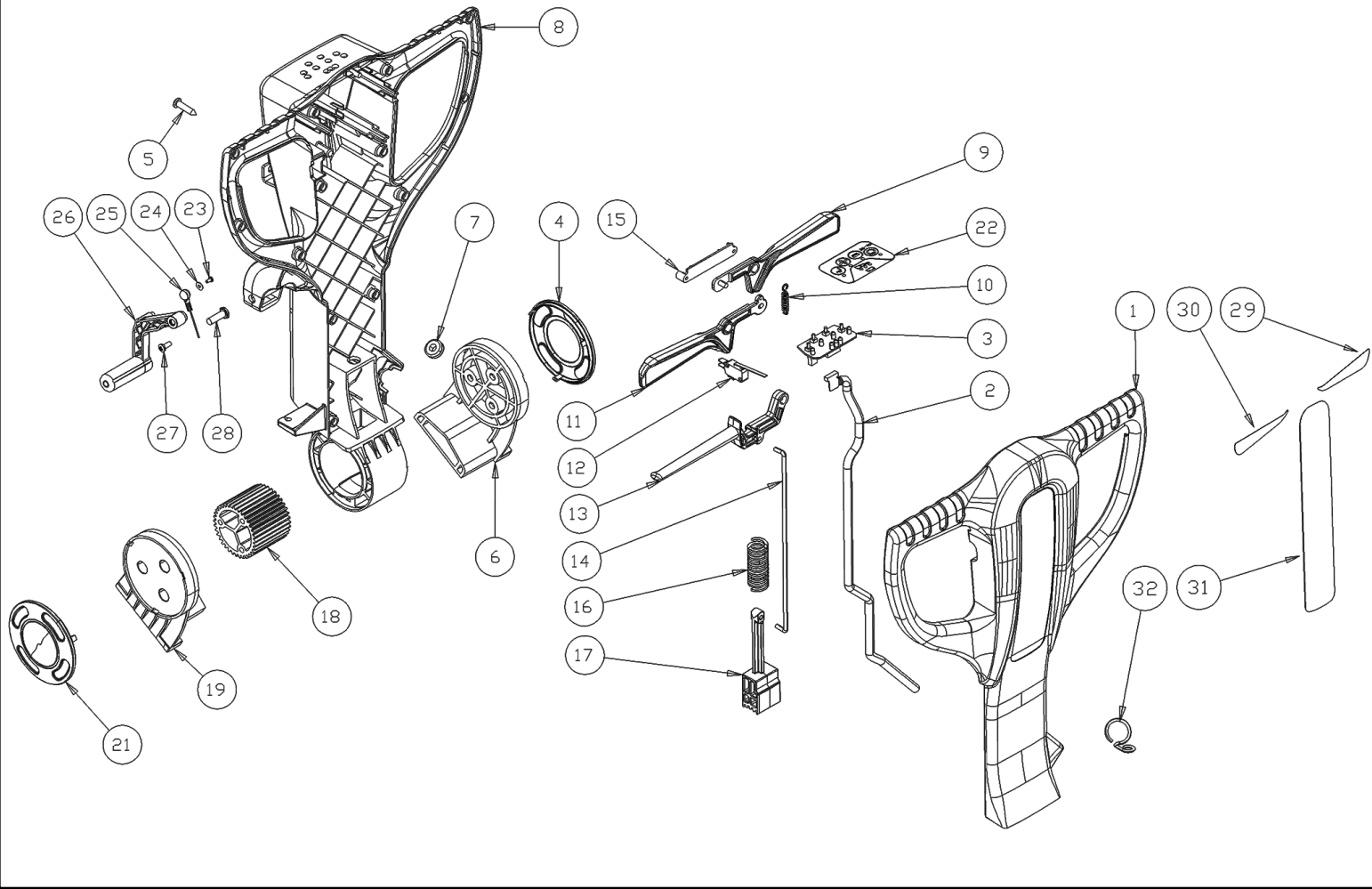


Spare Parts List

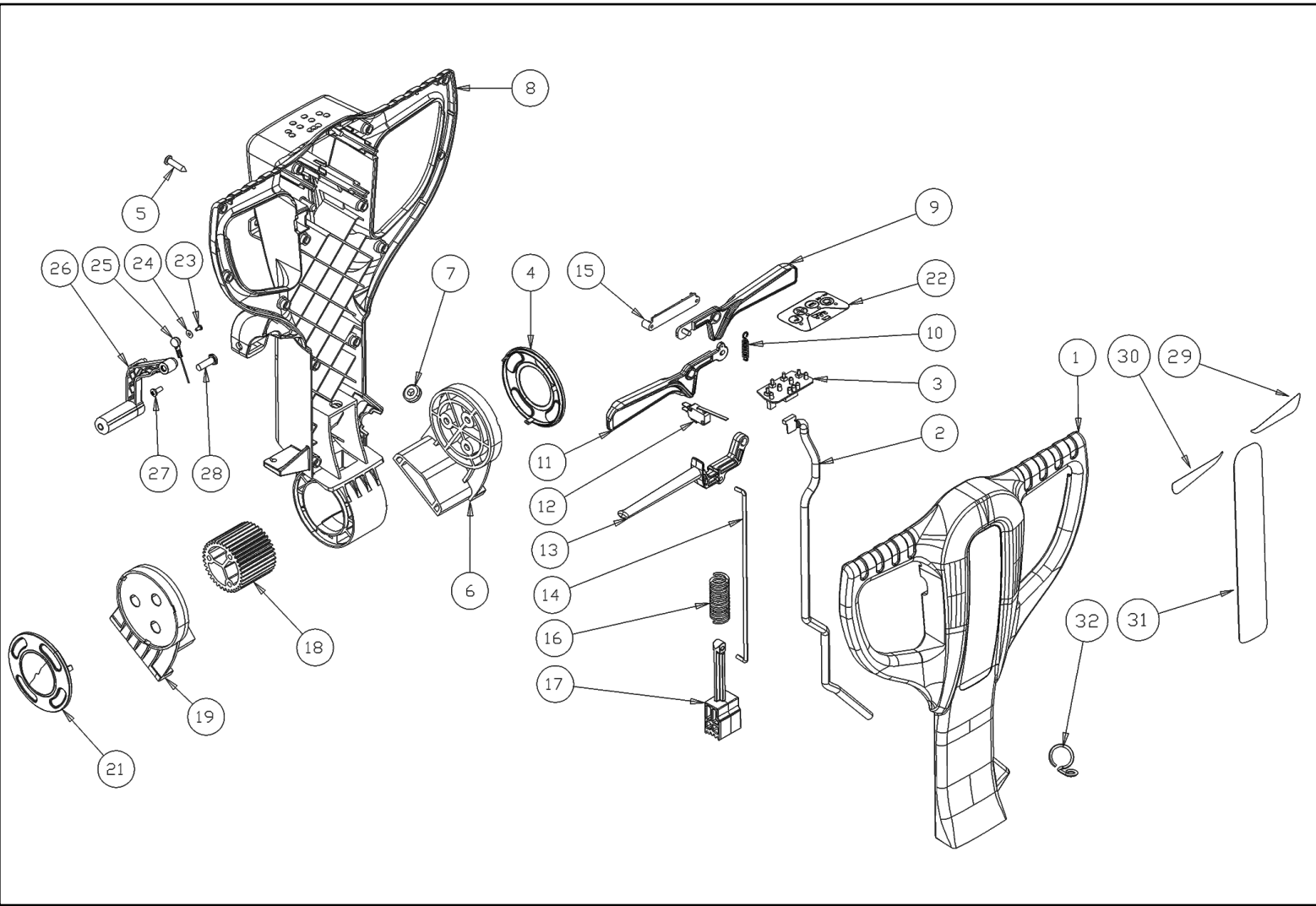
MEDIACOM

Ref: LPTB01802

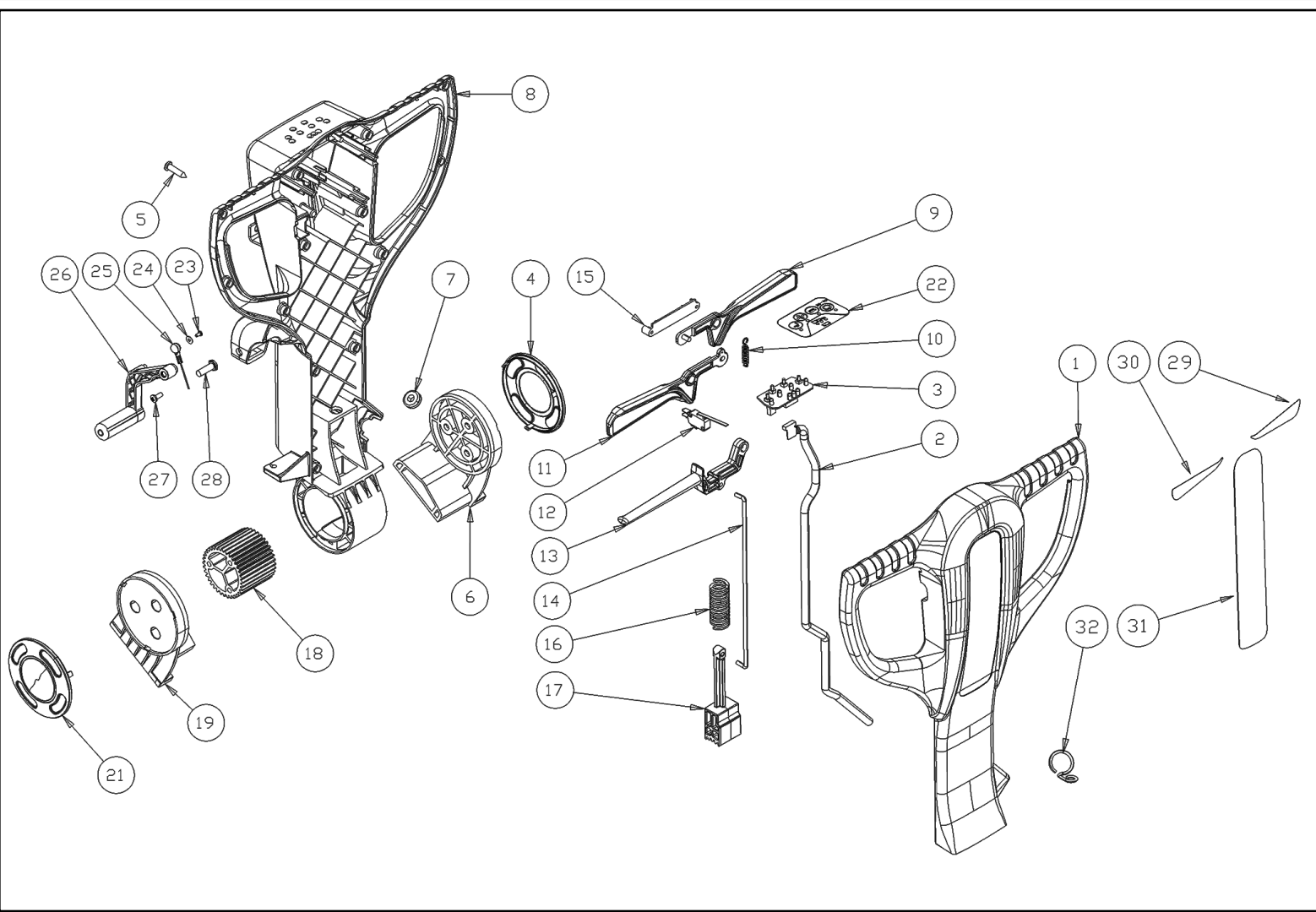
Model: CT46 B50 GR/VE



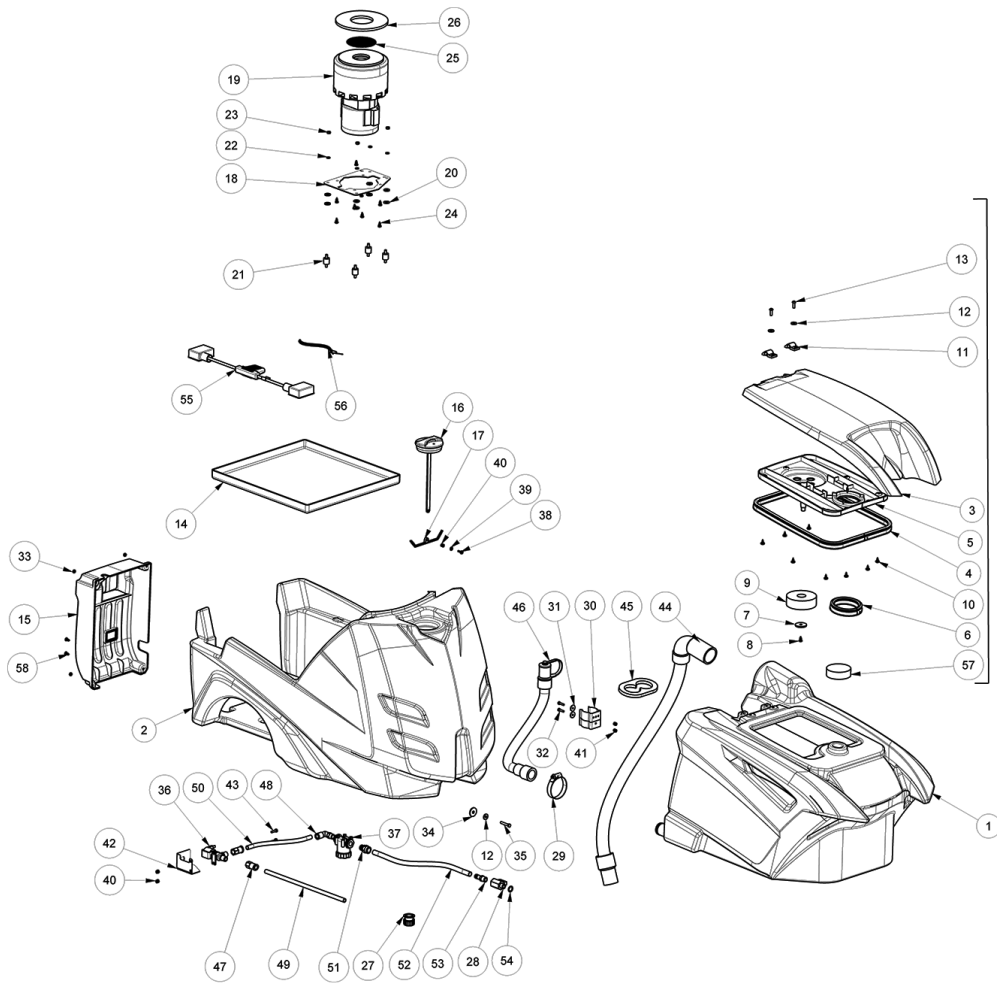
| Ref. | K | Part N. | Customer Part N. | Description | Qty | Validity: | | Price |
|------|---|-----------|------------------|---------------------------|-------|-----------|---------|-------|
| | | | | | | From | To | |
| 0001 | | MPVR06046 | | CRANKCASE - | 1,00 | | | -- |
| 0002 | | MECB01257 | | CABLE RIBBON CT15 | 1,00 | 09/2015 | 11/2015 | -- |
| 0002 | | MECB01326 | | WIRING FLAT CABLE CT45 | 1,00 | | 09/2015 | -- |
| 0002 | | MECB01396 | | WIRING | 1,00 | 11/2015 | | -- |
| 0003 | | MECE00579 | | BOARD LOGIC CT45 24V | 1,00 | | 09/2015 | -- |
| 0003 | S | MECE00605 | | BOARD LOGIC CT30 24V | 1,00 | 09/2015 | | -- |
| 0004 | | MPVR06055 | | COVER - | 1,00 | | | -- |
| 0005 | | VTVT01371 | | SCREW 4,8X19 | 14,00 | | | -- |
| 0006 | | MPVR06054 | | SHELL SX | 1,00 | | | -- |
| 0007 | | MPVR06057 | | FAIR-LEAD - | 1,00 | | | -- |
| 0008 | | MPVR06047 | | CRANKCASE - | 1,00 | | | -- |
| 0009 | | MPVR06048 | | LEVER SX | 1,00 | | | -- |
| 0010 | | MLML00336 | | SPRING - | 1,00 | | | -- |
| 0011 | | MPVR06049 | | LEVER DX | 1,00 | | | -- |
| 0012 | | MECI36393 | | MICROSWITCH TRZ. DRW | 1,00 | | | -- |
| 0013 | | MPVR06050 | | LEVER ADJUSTMENT | 1,00 | | | -- |
| 0014 | | LAFN09221 | | LEVER RINVIO | 1,00 | | | -- |
| 0015 | | MPVR06298 | | COVERING CT55 | 1,00 | | | -- |
| 0016 | | MLML00337 | | SPRING - | 1,00 | | | -- |
| 0017 | | MPVR06052 | | HANDLE SUPPORT | 1,00 | | | -- |
| 0018 | | MPVR06056 | | GEAR - | 1,00 | | | -- |
| 0019 | | MPVR06053 | | SHELL DX | 1,00 | | | -- |
| 0021 | | MPVR06055 | | COVER - | 1,00 | | | -- |
| 0022 | | ETET01780 | | LABEL - | 1,00 | | 09/2015 | -- |
| 0022 | | ETET01842 | | LABEL - | 1,00 | 09/2015 | | -- |
| 0023 | | VTVT00800 | | SCREW TC 4X12 ZN | 1,00 | 09/2014 | | -- |
| 0024 | | VTRS00251 | | WASHER 4-16 INOX A2 | 1,00 | 09/2014 | | -- |
| 0025 | | CMCV00364 | | CABLE - | 1,00 | 09/2014 | | -- |
| 0026 | | MPVR49942 | | LEVER SQUEEGEE LIFTING PP | 1,00 | 09/2014 | | -- |
| 0027 | | VTVT00796 | | SCREW TC 6X12 | 1,00 | 09/2014 | | -- |
| 0028 | | LAFN09248 | | PIN - | 1,00 | 09/2014 | | -- |
| 0029 | | ETET01770 | | LABEL CT15 | 1,00 | | | -- |
| 0029 | | ETET01773 | | LABEL CT15 | 1,00 | | | -- |
| 0029 | | ETET01775 | | LABEL CT15 | 1,00 | | | -- |
| 0030 | | ETET01770 | | LABEL CT15 | 1,00 | | | -- |
| 0030 | | ETET01773 | | LABEL CT15 | 1,00 | | | -- |
| 0030 | | ETET01775 | | LABEL CT15 | 1,00 | | | -- |
| 0031 | | ETET01769 | | LABEL CT15 | 1,00 | | | -- |
| 0031 | | ETET01772 | | LABEL CT15 | 1,00 | | | -- |



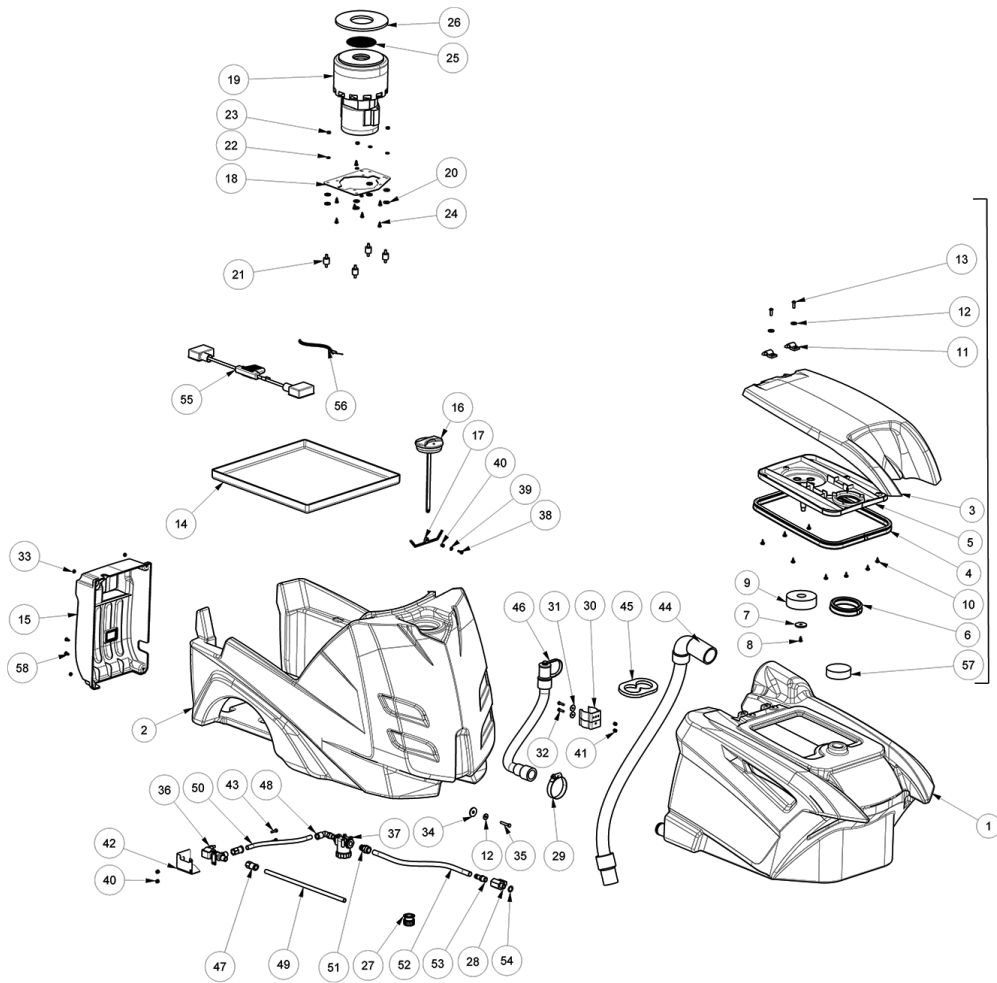
| Ref. K | Part N. | Customer Part N. | Description | Qty | Validity: | | Price |
|--------|-----------|------------------|-------------|------|-----------|----|-------|
| | | | | | From | To | |
| 0031 | ETET01774 | | LABEL CT15 | 1,00 | | | -- |
| 0032 | LAFN11049 | | HOOK - | 1,00 | 04/2016 | | -- |



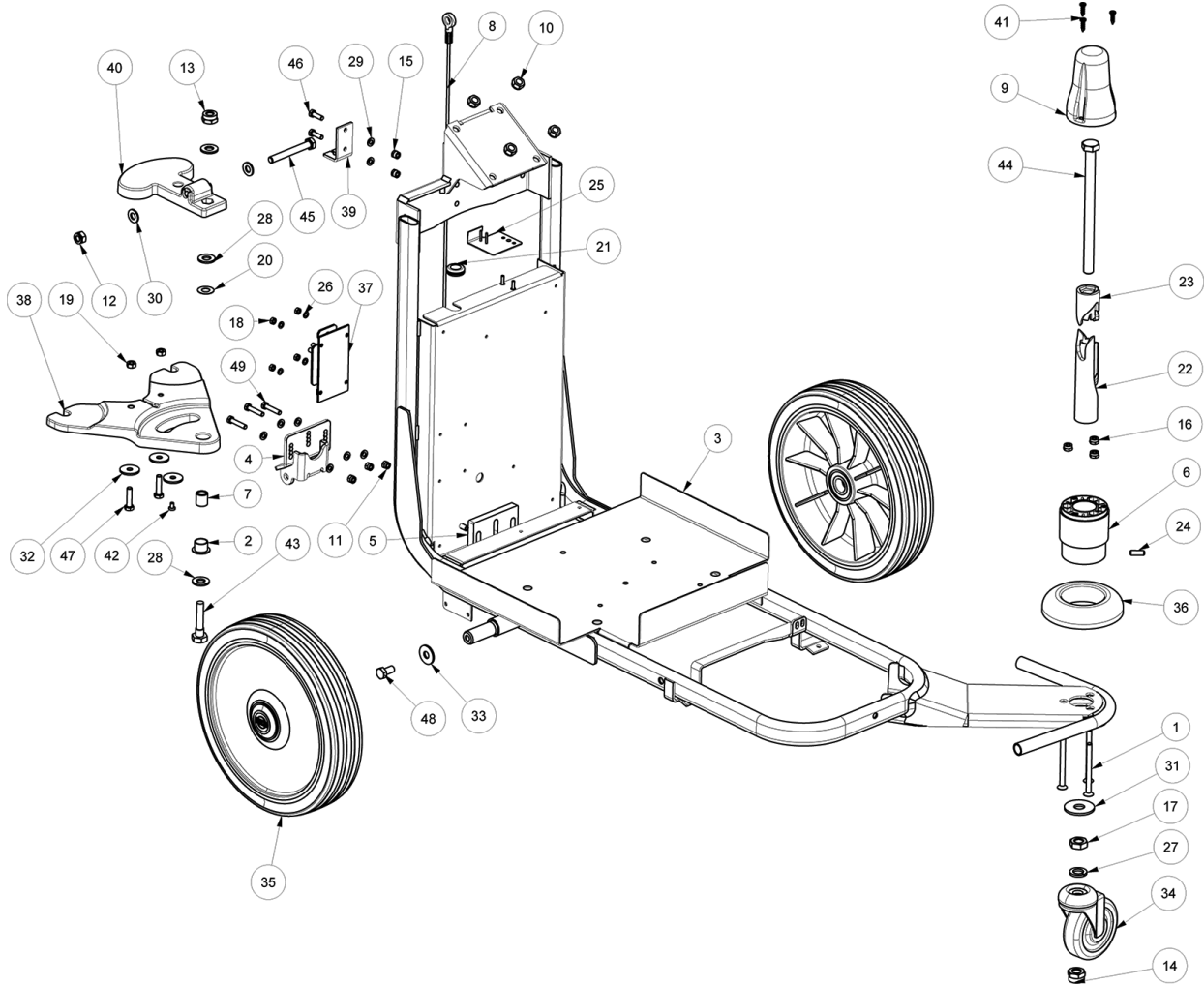
| Ref. Part N. | Cust. Part N. | Description | Reference | Price |
|--------------|---------------|-----------------------------|-----------|-------|
| KTRI04750 | | KIT NEW PCB CT30B AND CT45B | 0003 | -- |



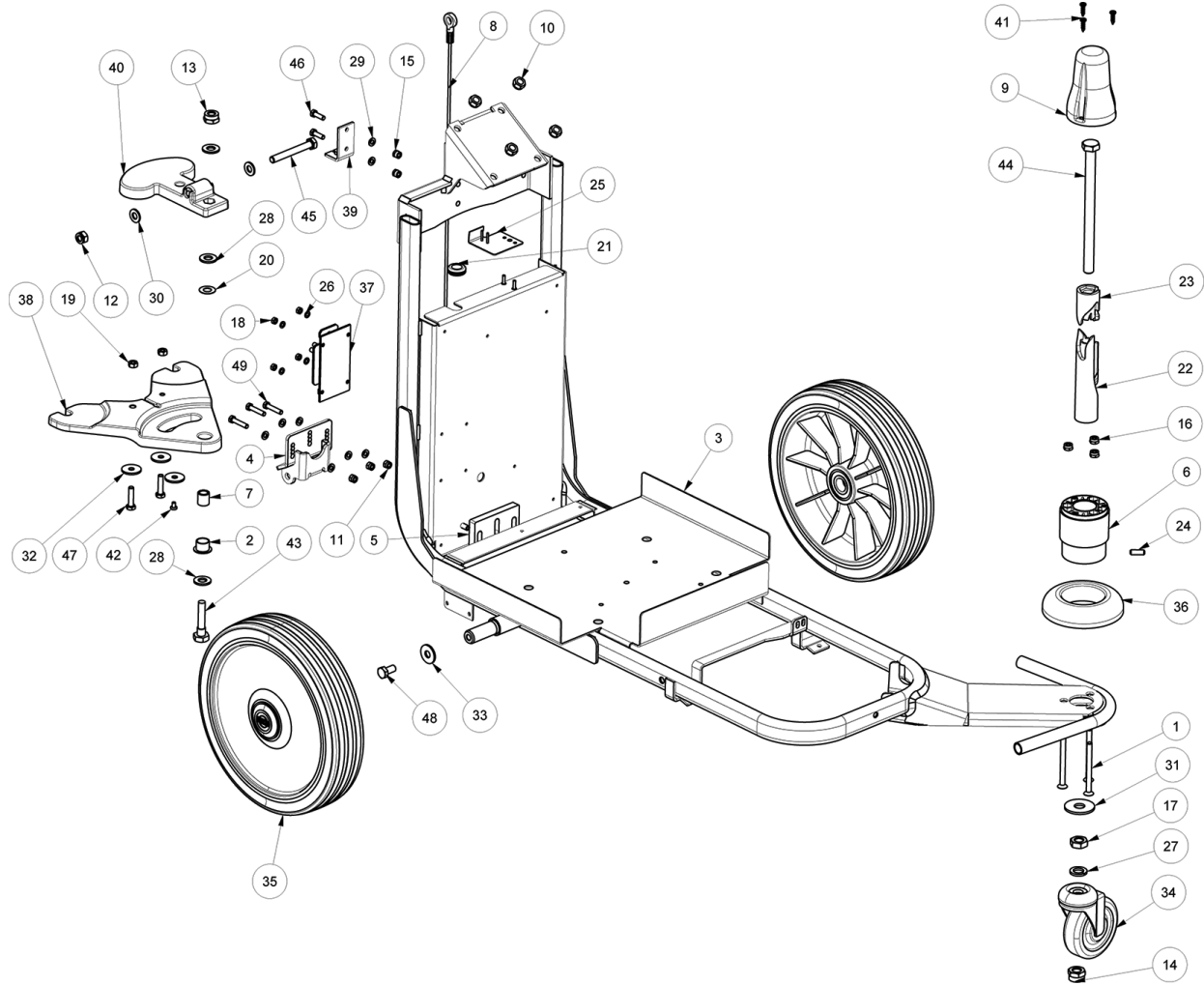
| Ref. | K | Part N. | Customer Part N. | Description | Qty | Validity: | | Price |
|------|---|-----------|------------------|--------------------------------|------|-----------|---------|-------|
| | | | | | | From | To | |
| 0001 | | MPVR10598 | | TANK CT46 | 1,00 | | | -- |
| 0002 | | MPVR10599 | | TANK CT46 | 1,00 | | | -- |
| 0003 | | MPVR10715 | | COVER CT46 | 1,00 | | | -- |
| 0004 | | GUVR01018 | | GASKET | 1,00 | | | -- |
| 0005 | | MPVR10716 | | BUSHING CT46 | 1,00 | | | -- |
| 0006 | | GUVR01017 | | GASKET | 1,00 | | | -- |
| 0007 | | VTRS00573 | | WASHER 30x6x3 | 1,00 | | | -- |
| 0008 | | VTVT48694 | | SCREW TCB TC 5 X12 UNI 9707 TZ | 1,00 | | | -- |
| 0009 | | MPVR05836 | | FLOATER - | 1,00 | | | -- |
| 0010 | | VTVT01694 | | SCREW TCB TC 5 X10 UNI 9707 TZ | 9,00 | | | -- |
| 0011 | | MPVR10718 | | HINGE CT46 | 2,00 | | | -- |
| 0012 | | VTRS13750 | | WASHER D. 5X14 INX | 3,00 | | | -- |
| 0013 | | VTVT00805 | | SCREW TBEI M. 5-10 | 2,00 | | | -- |
| 0014 | | LAFN35588 | | BATTERY SUPPORTLAV. BT | 1,00 | | | -- |
| 0015 | | MPVR10714 | | COVERING CT46 | 1,00 | | | -- |
| 0016 | | MPVR05188 | | CAP - | 1,00 | | | -- |
| 0017 | | MPVR08038 | | PLATE CT15-30 | 1,00 | | | -- |
| 0018 | | LAFN08894 | | PLATE - | 1,00 | | | -- |
| 0019 | | MOCC00397 | | MOTOR VACUUM CT15-CT30 | 1,00 | | | -- |
| 0020 | | VTRS13750 | | WASHER D. 5X14 INX | 8,00 | | | -- |
| 0021 | | ABGO00052 | | VIBRATION DAMP.- | 4,00 | | | -- |
| 0022 | | VTRS15908 | | WASHER D. 5 INX GRW UNI 1751 | 4,00 | | | -- |
| 0023 | | VTDD07727 | | NUT M 5 INOX | 4,00 | | | -- |
| 0024 | | VTVT48694 | | SCREW TCB TC 5 X12 UNI 9707 TZ | 8,00 | | | -- |
| 0025 | | LAFN05830 | | NET FERMA FILTRO INOX | 1,00 | | | -- |
| 0026 | | GUGO00444 | | GASKET - | 1,00 | | 09/2016 | -- |
| 0026 | | GUGO00498 | | GASKET | 1,00 | 09/2016 | | -- |
| 0027 | | MPVR08003 | | CAP | 1,00 | | 10/2016 | -- |
| 0027 | | MPVR10774 | | CAP 1/2" | 1,00 | 10/2016 | | -- |
| 0028 | | RCGR00082 | | VALVE - | 1,00 | | | -- |
| 0029 | | FSVR00095 | | CLAMP 30-45 | 1,00 | | | -- |
| 0030 | | MPVR46988 | | CLIP LAV. SHK | 1,00 | | | -- |
| 0031 | | VTRS05904 | | WASHER D. 4 X16 2.083 | 2,00 | | | -- |
| 0032 | | VTVT29884 | | SCREW TE M 4X 16 UNI 5739 | 2,00 | | | -- |
| 0033 | | VTDD04368 | | NUT M 4 ZIN UNI 5588 | 4,00 | | | -- |
| 0034 | | VTRS16937 | | WASHER 6x24 INOX UNI 6593 | 1,00 | | | -- |
| 0035 | | VTVT01376 | | SCREW TE M 5X 35 UNI 5739 | 1,00 | | | -- |
| 0036 | | MEEV00052 | | SOLENOID VALVE | 1,00 | | | -- |
| 0037 | | FTAC00044 | | FILTER CT15-CT30 | 1,00 | | | -- |



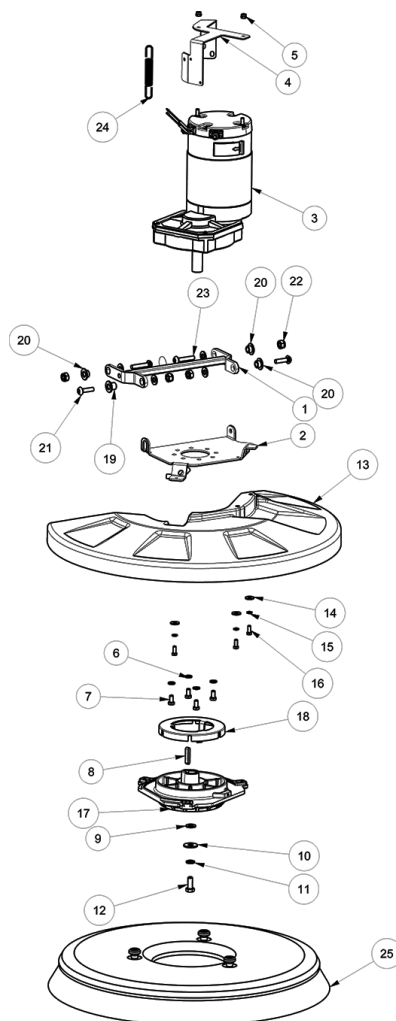
| Ref. K | Part N. | Customer Part N. | Description | Qty | Validity: | | Price |
|--------|-----------|------------------|-------------------------------|------|-----------|----|-------|
| | | | | | From | To | |
| 0038 | VTVT15965 | | SCREW TCB-TC 4X12 UNI7687 INX | 1,00 | | | -- |
| 0039 | VTRS00515 | | WASHER D. 4 INX | 1,00 | | | -- |
| 0040 | VTDD00055 | | NUT M 4 ATB A2 | 3,00 | | | -- |
| 0041 | VTDD04369 | | NUT M 4 TEF UNI 7473 | 2,00 | | | -- |
| 0042 | LAFN07948 | | PROTECTION ELETTROVALVOLA | 1,00 | | | -- |
| 0043 | VTVT15924 | | SCREW M 4X 16 TCB-TC UNI 7687 | 2,00 | | | -- |
| 0044 | TBFX00357 | | TUBE CT45 | 1,00 | | | -- |
| 0045 | MPVR04659 | | FLANGE | 1,00 | | | -- |
| 0046 | TBFX00350 | | TUBE HOSE DRAIN CT30 | 1,00 | | | -- |
| 0047 | RCVR00772 | | CONNECTOR 1/4 | 2,00 | | | -- |
| 0048 | RCVR00773 | | CONNECTOR 1/4 | 1,00 | | | -- |
| 0051 | RCVR00807 | | CONNECTOR 10 1/4 | 1,00 | | | -- |
| 0053 | RCVR00784 | | CONNECTOR - | 1,00 | | | -- |
| 0054 | GUGO31088 | | O-RING D. 12 X 2.50 NBR 70SH | 1,00 | | | -- |
| 0055 | MECB01943 | | WIRING | 1,00 | | | -- |
| 0056 | MECB01942 | | WIRING CT 46 TUV | 1,00 | | | -- |
| 0057 | FTDP00683 | | FILTER - | 1,00 | | | -- |



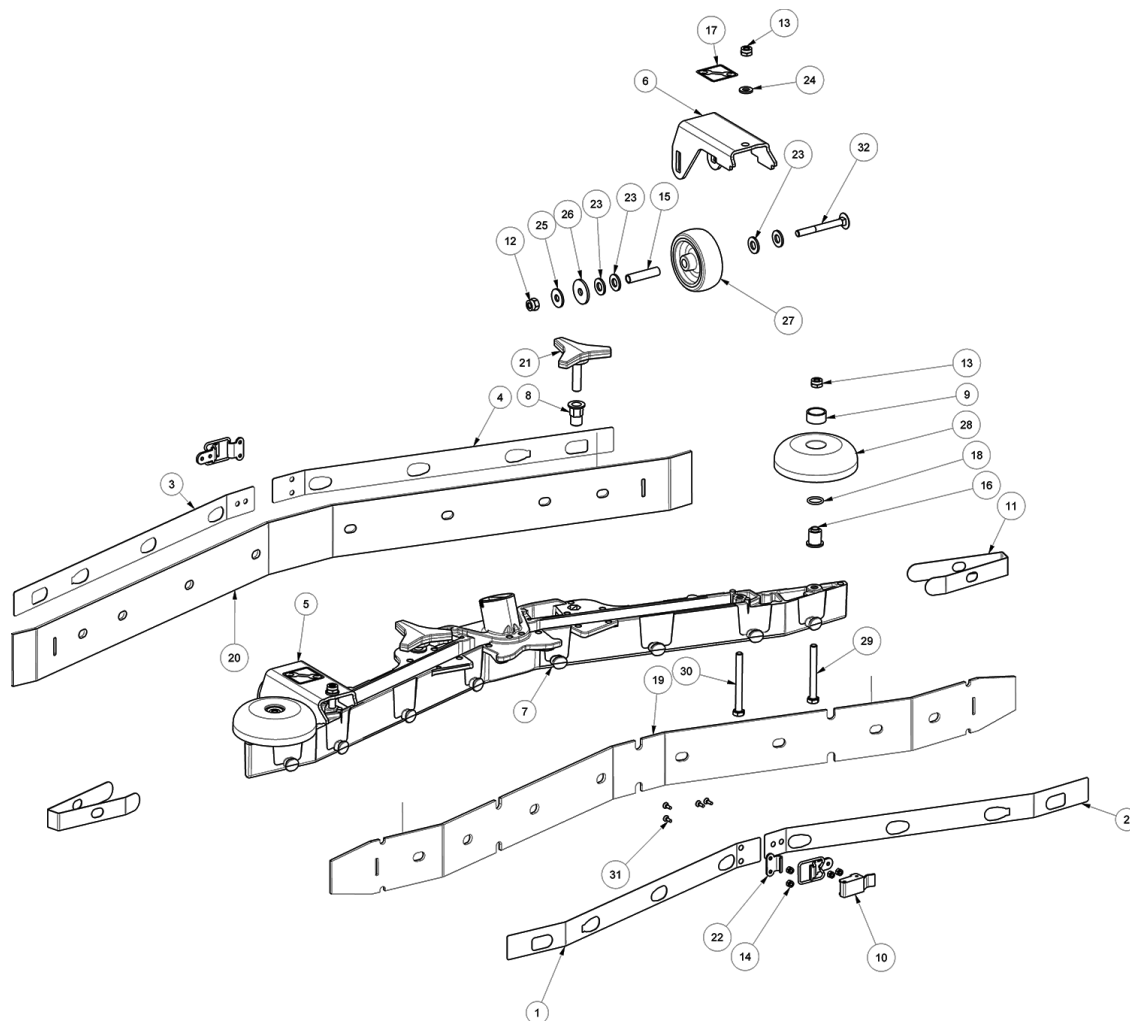
| Ref. | K | Part N. | Customer Part N. | Description | Qty | Validity: | | Price |
|------|---|-----------|------------------|------------------------------------|------|-----------|----|-------|
| | | | | | | From | To | |
| 0001 | | VTVT01160 | | SCREW M6x65 | 3,00 | | | -- |
| 0002 | | CUVR00193 | | BUSHING - | 1,00 | | | -- |
| 0003 | | LAFN11041 | | FRAME - | 1,00 | | | -- |
| 0004 | | LAFN08106 | | COUPLING SQUEEGEE | 1,00 | | | -- |
| 0005 | | LAFN11083 | | SPACER - | 1,00 | | | -- |
| 0006 | | MPVR07136 | | BUSHING - | 1,00 | | | -- |
| 0007 | | LAFN08067 | | BUSHING CT45 | 1,00 | | | -- |
| 0008 | | CMCV00364 | | CABLE - | 1,00 | | | -- |
| 0009 | | MPVR07133 | | COVERING - | 1,00 | | | -- |
| 0010 | | VTDD00124 | | NUT M 8 BASSO | 4,00 | | | -- |
| 0011 | | VTDD15517 | | NUT M 5 INX | 3,00 | | | -- |
| 0012 | | VTDD01695 | | NUT M 8 INX | 1,00 | | | -- |
| 0013 | | VTDD10310 | | NUT AUTOBL.M10 INOX DIN 985 | 1,00 | | | -- |
| 0014 | | VTDD00176 | | NUT M.12 INOX A2 BASSO AUTOB. | 1,00 | | | -- |
| 0015 | | VTDD01693 | | NUT M 5 INX | 2,00 | | | -- |
| 0016 | | VTDD01694 | | NUT M6 INOX | 3,00 | | | -- |
| 0017 | | VTDD00502 | | NUT M12 | 1,00 | | | -- |
| 0018 | | VTDD04368 | | NUT M 4 ZIN UNI 5588 | 4,00 | | | -- |
| 0019 | | VTDD15520 | | NUT M 6 A2 UNI 5588 INX | 2,00 | | | -- |
| 0020 | | MLML34767 | | SPRING D.10.2 X20 | 1,00 | | | -- |
| 0021 | | MEVR00686 | | FAIR-LEAD DIAMETER 15.5 | 1,00 | | | -- |
| 0022 | | MPVR06462 | | PIN - | 1,00 | | | -- |
| 0023 | | MPVR06461 | | PIN - | 1,00 | | | -- |
| 0024 | | VTVT01382 | | PIN - | 1,00 | | | -- |
| 0026 | | VTRS00377 | | WASHER M4 | 4,00 | | | -- |
| 0027 | | VTRS15919 | | WASHER D.12 GROVER UNI 1751 INX | 1,00 | | | -- |
| 0028 | | VTRS15523 | | WASHER D.10 X21 INOX UNI 6592 | 3,00 | | | -- |
| 0029 | | VTRS00516 | | WASHER D. 5 INX | 8,00 | | | -- |
| 0030 | | VTRS13947 | | WASHER D. 8 INX UNI 6592 | 2,00 | | | -- |
| 0031 | | VTRS09142 | | WASHER D.12 X 36 | 1,00 | | | -- |
| 0032 | | VTRS16937 | | WASHER 6x24 INOX UNI 6593 | 3,00 | | | -- |
| 0033 | | VTRS00512 | | WASHER D. 8 X24 ZC. | 2,00 | | | -- |
| 0034 | | RTRT00550 | | WHEEL - | 1,00 | | | -- |
| 0035 | | RTRT00537 | | WHEEL GRAY d.250 CT15-30-45 | 2,00 | | | -- |
| 0036 | | MPVR07134 | | WHEEL - | 1,00 | | | -- |
| 0037 | | MECE00742 | | BOARD POWER CT15-30-45B-BT | 1,00 | | | -- |
| 0038 | | MFVR00224 | | ARTICULATION SQUEEGEE SUPPORT CT45 | 1,00 | | | -- |
| 0039 | | LAFN09365 | | BRACKET - | 1,00 | | | -- |
| 0040 | | MFVR00223 | | SUPPORT SQUEEGEE CT45 | 1,00 | | | -- |



| Ref. | K | Part N. | Customer Part N. | Description | Qty | Validity: | | Price |
|------|---|-----------|------------------|---------------------------------|------|-----------|----|-------|
| | | | | | | From | To | |
| 0041 | | VTVT00044 | | SCREW TC AF.X PLAS UNI9707 4X16 | 3,00 | | | -- |
| 0042 | | VTVT00881 | | SCREW TC+ M4x6 TRILOBATA INOX | 1,00 | | | -- |
| 0043 | | VTVT01169 | | SCREW TE M10X45 | 1,00 | | | -- |
| 0044 | | VTVT01171 | | SCREW TE M12x170 UNI5737 | 1,00 | | | -- |
| 0045 | | VTVT00757 | | SCREW | 1,00 | | | -- |
| 0046 | | VTVT07725 | | SCREW TE 5X16 UNI5739 INX | 2,00 | | | -- |
| 0047 | | VTVT15141 | | SCREW TE M 6X 25 UNI 5739 INX | 2,00 | | | -- |
| 0048 | | VTVT01110 | | SCREW TE 8X16 UNI5739 | 2,00 | | | -- |
| 0049 | | VTVT00766 | | SCREW TE M. 5-25 | 3,00 | | | -- |



| Ref. | K | Part N. | Customer Part N. | Description | Qty | Validity: From To | Price |
|------|---|-----------|------------------|--------------------------------|------|----------------------|-------|
| 0001 | | LAFN07910 | | BRACKET - | 1,00 | | -- |
| 0002 | | LAFN07905 | | SUPPORT - | 1,00 | | -- |
| 0003 | | MOCC00426 | | MOTOR 24V 20A 400W IP44 | 1,00 | | -- |
| 0004 | | LAFN08083 | | BRACKET - | 1,00 | | -- |
| 0005 | | VTDD01693 | | NUT M 5 INX | 2,00 | | -- |
| 0006 | | VTRS15144 | | WASHER D. 6 INX GRW UNI 1751 | 4,00 | | -- |
| 0007 | | VTVT15906 | | SCREW TE 6X 12 A2 UNI 5739 | 4,00 | | -- |
| 0008 | | VTVR16617 | | KEY 6X 6X30 UNI 6604 | 1,00 | | -- |
| 0009 | | VTRS13947 | | WASHER D. 8 INX UNI 6592 | 5,00 | | -- |
| 0010 | | VTRS13946 | | WASHER D. 8 X24 INX UNI 6593 | 1,00 | | -- |
| 0011 | | VTRS15146 | | WASHER D. 8 INX GRW UNI 1751 | 1,00 | | -- |
| 0012 | | VTVT13938 | | SCREW TE 8X20 UNI5739 INX | 1,00 | | -- |
| 0013 | | MPVR06243 | | COVERING CT45 | 1,00 | | -- |
| 0014 | | VTRS13750 | | WASHER D. 5X14 INX | 3,00 | | -- |
| 0015 | | VTRS15908 | | WASHER D. 5 INX GRW UNI 1751 | 3,00 | | -- |
| 0016 | | VTVT01300 | | SCREW TE M5X12 INOX | 3,00 | | -- |
| 0017 | | MFVR00212 | | DRIVE DISK | 1,00 | | -- |
| 0018 | | MPVR06045 | | CONVEYOR - | 1,00 | | -- |
| 0019 | | LAFN51068 | | BUSHING LEVA POSTER. | 1,00 | | -- |
| 0020 | | LAFN06391 | | BUSHING PARALLELOGRAMMA | 3,00 | | -- |
| 0021 | | VTVT01195 | | SCREW TBEI M 8X 25 ISO 7380 IX | 2,00 | | -- |
| 0022 | | VTDD01695 | | NUT M 8 INX | 4,00 | | -- |
| 0023 | | VTVT01378 | | SCREW TBEI M8X35 | 2,00 | | -- |
| 0024 | | MLML00340 | | SPRING - | 1,00 | | -- |
| 0025 | | SPPV01332 | | BRUSH D.500 NYLON | 1,00 | | -- |



| Ref. | K | Part N. | Customer Part N. | Description | Qty | Validity: | | Price |
|------|---|-----------|------------------|--------------------------------|------|-----------|----|-------|
| | | | | | | From | To | |
| 0001 | | LAFN09275 | | SHEET METAL PA.- | 1,00 | | | -- |
| 0002 | | LAFN09276 | | SHEET METAL PA.- | 1,00 | | | -- |
| 0003 | | LAFN09277 | | SHEET METAL PA.- | 1,00 | | | -- |
| 0004 | | LAFN09278 | | SHEET METAL PA.- | 1,00 | | | -- |
| 0005 | | LAFN09216 | | SUPPORT DX | 1,00 | | | -- |
| 0006 | | LAFN09217 | | SUPPORT SX | 1,00 | | | -- |
| 0007 | | MFVR00143 | | BODY SQUEEGEE PRESSOFUSO | 1,00 | | | -- |
| 0008 | | VTVR00567 | | INSERT - | 2,00 | | | -- |
| 0009 | | MPVR49229 | | BUSHING SHK | 2,00 | | | -- |
| 0010 | | LAFN09302 | | CLOSURE - | 2,00 | | | -- |
| 0011 | | MPVR05897 | | CLOSURE S | 2,00 | | | -- |
| 0012 | | VTDD15518 | | NUT M 6 INX | 2,00 | | | -- |
| 0013 | | VTDD01694 | | NUT M6 INOX | 4,00 | | | -- |
| 0014 | | VTDD00210 | | NUT M 3 INOX | 8,00 | | | -- |
| 0015 | | LAFN07589 | | SPACER - | 2,00 | | | -- |
| 0016 | | LAFN04100 | | SPACER PER RUOTINO PARACOLPI | 2,00 | | | -- |
| 0017 | | ETET01817 | | LABEL - | 2,00 | | | -- |
| 0018 | | GUGO00164 | | GASKET | 2,00 | | | -- |
| 0019 | | MPVR06287 | | BLADE XS 3MM LATEX | 1,00 | | | -- |
| 0020 | | MPVR06288 | | BLADE XS 3MM LATEX | 1,00 | | | -- |
| 0021 | | MPVR06004 | | KNOB AISI 304 | 2,00 | | | -- |
| 0022 | | LAFN09301 | | SOCKET - | 2,00 | | | -- |
| 0023 | | VTRS00274 | | WASHER NYLON 66 D.8,4-17-2 UNI | 8,00 | | | -- |
| 0024 | | VTRS00245 | | WASHER D.6 UNI 6592 INOX | 2,00 | | | -- |
| 0025 | | VTRS13945 | | WASHER D. 6X18 INX UNI 6593 | 2,00 | | | -- |
| 0026 | | VTRS16937 | | WASHER 6x24 INOX UNI 6593 | 2,00 | | | -- |
| 0027 | | RTRT00398 | | WHEEL - | 2,00 | | | -- |
| 0028 | | MPVR06105 | | SMALL WHEEL - | 2,00 | | | -- |
| 0029 | | VTVT00655 | | SCREW TE M. 6-55 | 2,00 | | | -- |
| 0030 | | VTVT17342 | | SCREW TE M 6X 60 UNI 5739 INX | 2,00 | | | -- |
| 0031 | | VTVT01070 | | SCREW TSTC M3X8 | 8,00 | | | -- |
| 0032 | | VTVT01206 | | SCREW M6X55 | 2,00 | | | -- |