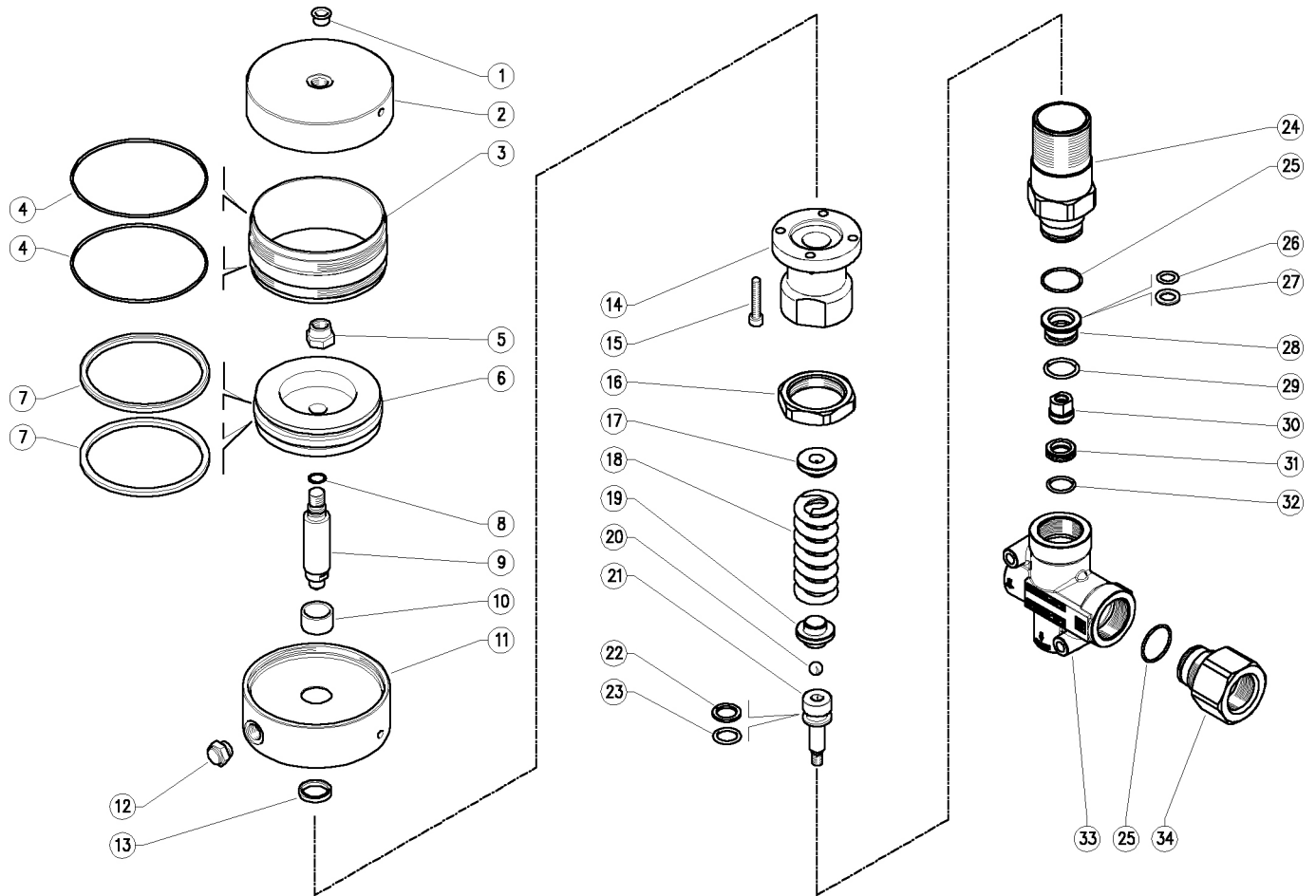


60.5330.00 VRPP 200-280 regul.valv. 1"F Bsp -air contr.



K1K2K3K4

1	15.3720.14RPlug, 1/4" Bsp plast.	1			4
2	60.5325.41RValve bottom, Al	1			3
3	60.5324.46RJacket, Al	1			3
4	10.3106.00RO-ring, 2x103 mm	2	•		5
5	11.4740.00RHex. nut, M12	1			10
6	60.5326.41RPiston, Al	1			3
7	10.2100.00RPiston seal, 90x100x4,5 mm	2	•		5
8	10.3058.01RO-ring, 1,78x10,82 mm	1	•		10
9	60.5321.61RPiston, 20-M12x94 mm	1			3
10	60.5323.85RBushing, opn. 20x24x14,8 mm PTFE	1	•		3
11	60.5322.41RValve head, Al	1			3
12	11.8901.14RPneum. filter, G1/4	1			3
13	10.2020.25RStem seal, 20x25x4 mm	1	•		5
14	60.4332.31RPiston holder-brass	1			1
15	16.1897.22RScrew, DIN912 M6x22 mm z.pl.	4			5
16	60.4333.31RCounter-nut M45 brass	1			1
17	60.4306.31RSpring guide spacer, brass	1			2

K1K2K3K4

18	60.4308.61RSpring 8x26x85mm	1			3
19	60.4304.31RSpring guide spacer, brass	1			2
20	14.7461.00RBall, 13/32" Sst.	1			10
21	60.5004.51RPiston, M8 Sst.	1			2
22	10.4081.00RBack-up ring, 15,8x22x2 mm	1	•		10
23	10.3237.00RO-ring, 3,53x15,47 mm	1	•		10
24	60.4331.31RSpring holder M45	1			1
25	10.3077.08RO-ring, 1,78x28,3 mm Ni 85	2	•		10
26	10.3234.00RO-ring, 3,53x10,69 mm	1	•		10
27	10.4080.00RBack-up ring, 12x18,2x2 mm	1	•		10
28	60.5010.31RReduction bushing, brass	1			2
29	10.3195.01RO-ring, 2,62x20,29 mm Ni 90	1	•		10
30	60.5003.51RShutter pin, M8 Sst.	1	•		3
31	60.5002.51RSeat, 15,8x23x6 mm Sst.	1	•		2
32	10.3072.01RO-ring, 1,78x20,35 mm Ni 85	1	•		10
33	60.4305.35RHousing-VB200/280, 1"Bsp brass	1			1
34	60.4303.31RShutter coupl., 1"Bsp F brass	1			1

K1

K1	60.4309.24 Spares kit -VB200/280, 10x1pcs.	1
K2	60.5327.24 Spares kit -pneum. cylinder, 5x1pcs.	1