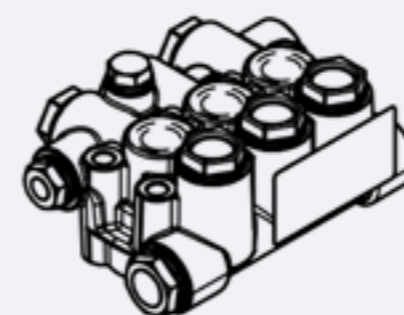


<p>MASSIMA TEMPERATURA INGRESSO ACQUA MAX INPUT WATER TEMPERATURE</p> <p>85°C 185° F</p>	<p>PRESSIONE MINIMA INGRESSO MINIMAL INPUT PRESSURE</p> <p>0.2 BAR 2.9 PSI</p>	<p>INGRESSO INLET</p> <p>G 1/2"</p>	<p>USCITA OUTLET</p> <p>G 3/8"</p>	<p>TESTATA NICHELATA NICKEL PLATED MANIFOLD</p>
---	---	---	--	--



Codice Code	Modello Model	Portata / Flow Rate lt/min - gal/min		Pressione / Pressure		Potenza / Power		Potenza / Power		Albero Shaft L: 40mm Ø 24
		1450 rpm	1740 rpm	Bar	Psi	50Hz		60Hz		
						HP	Kw	HP	Kw	
P3.021.003	TMM12200R	12.00 3.17	14,4 3.80	150.00	2175.57	4.68	3.49	5.61	4.18	Destra / Right
P3.021.002	TMM15200R	15.00 3.96	18 4.76	150.00	2175.57	5.84	4.35	7.01	5.22	Destra / Right
P3.021.004	TMM18200R	18.00 4.75	21,6 5.71	150.00	2175.57	7.01	5.19	8.42	6.23	Destra / Right
P3.021.001	TMM21200R	21.00 5.55	25,2 6.66	150.00	2175.57	8.18	6.06	9.82	7.27	Destra / Right
P3.021.008	TMM12200L	12.00 3.17	14.40 3.80	150.00	2175.57	4.68	3.49	5.61	4.18	Sinistra / Left
P3.021.006	TMM15200L	15.00 3.96	18.00 4.75	150.00	2175.57	5.84	4.35	7.01	5.22	Sinistra / Left
P3.021.009	TMM18200L	18.00 4.75	21.60 5.70	150.00	2175.57	7.01	5.19	8.42	6.23	Sinistra / Left
P3.021.007	TMM21200 L	21.00 5.55	25.20 6.65	150.00	2175.57	8.18	6.06	9.82	7.27	Sinistra / Left
		1000 rpm	1200 rpm	Bar	Psi	HP	Kw	HP	Kw	
P3.021.005	TMM15200R	15.00 3.96	18.00 4.75	150.00	2175.57	5.84	4.35	7.01	5.22	Destra / Right
P3.020.010	TMM15200L	15.00 3.96	18.00 4.75	150.00	2175.57	5.84	4.35	7.01	5.22	Sinistra / Left

RICAMBI / SPARE PARTS



KIT - P9.040.019

TESTATA COMPLETA
COMPLETE HEAD OF THE PUMP



KIT - P9.039.001

ANELLI TENUTA OLIO ASTA
KIT OIL SEAL PUMP MM PM



KIT - P9.003.017

GUARNIZIONE PISTONE
KIT PLUNGER SEALS



KIT - P9.004.013

PISTONE Ø18 POMPA PM
KIT CERAMIC PISTON



KIT - P9.001.005

VALVOLA COMPLETA
COMPLETE VALVE



KIT - P9.003.027

GUARNIZIONE PISTONE - PACCO COMPLETO
KIT COMPLETE SEALS



KIT - P2.150.006

PREMONTATO BIELLA - ASTA
PREASSEMBLED CONNECTING ROD

TMM HIGH TEMPERATURE	PORTATA FLOW RATE		GIRI ROUNDS	PRESSIONE MASSIMA MAX PRESSURE		CAPACITÀ OLIO OIL CAPACITY		PESO WEIGHT	
	Lt/min	Gal/min	Rpm	Bar	Psi	Lt	Gal	Kg	Lbs
50HZ	12.00 ▶ 21.00	3.17 ▶ 5.54	1450	150	2175.57	0.7	0.18	10.4	22.92
60Hz	14.40 ▶ 25.20	3.80 ▶ 6.65	1740						