

CARATTERISTICHE - SPECIFICATIONS

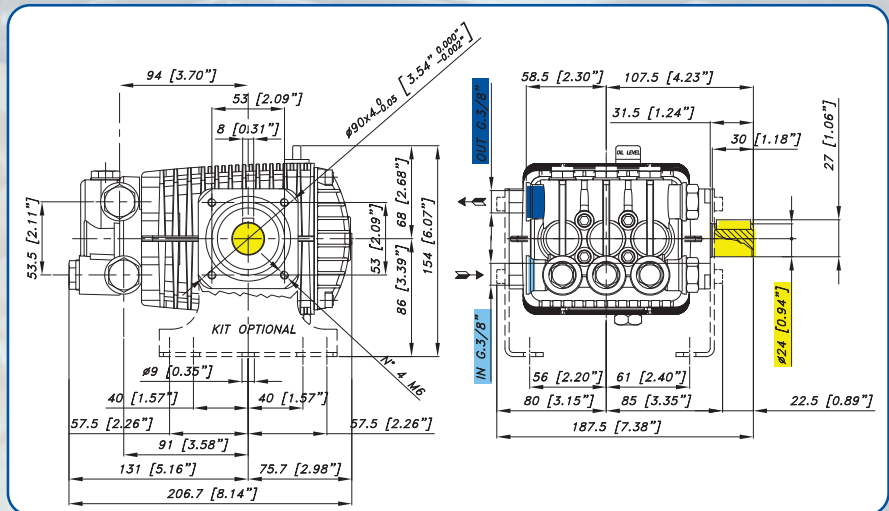
IN	DIAMETER	\varnothing	3/8 BSP
	PRESS.	Min.	- 0.1 bar -1.5 PSI
		Max.	6 bar 87 PSI
TEMP.	Max.	60° C. 140° F.	
OUT	DIAMETER	\varnothing	3/8 BSP
SHAFT		\varnothing	24 mm
OIL		SAE 75W 90	0.5 litri 0.13 U.S.G.
PESO WEIGHT		Kg / lbs	5.8 / 12.8



OPTIONAL



PIEDINI cod. 02.9829.97.3 (optional)
 MOUNTING RAILS KIT cod. 02.9829.97.3 (optional)
 KIT SUPPORTS cod. 02.9829.97.3 (option)
 JUEGO DE PIES cod. 02.9829.97.3 (opción)



CARATTERISTICHE - FEATURES

WBL 1450 rpm

PERFORMANCE CHART

CODICE CODE	MODELLO MODEL	PRESS MAX / MAX PRESSURE		PORTATA / FLOW		POTENZA / POWER		PIST. PLUNG. Dia. mm	CORSA STROKE mm
		Bar	PSI	L/min	GPM	KW	HP		
02.6000.97.3	WBL 810	100	1450	8	2.1	1.4	1.9	18	7
02.6001.97.3	WBL 813	130	1900	8	2.1	1.9	2.5		
02.6002.97.3	WBL 816	160	2300	8	2.1	2.2	3.0		
02.6003.97.3	WBL 911	110	1600	9	2.3	1.8	2.4	18	8
02.6004.97.3	WBL 913	130	1900	9	2.3	2.1	2.8		
02.6005.97.3	WBL 917	170	2400	9	2.3	2.7	3.6		
02.6006.97.3	WBL 1010	100	1450	10	2.6	1.9	2.5	18	9.2
02.6007.97.3	WBL 1012	120	1750	10	2.6	2.3	3.0		
02.6008.97.3	WBL 1016	160	2300	10	2.6	2.9	3.9		
02.6009.97.3	WBL 1109	90	1300	11	2.9	1.8	2.5	18	10
02.6010.97.3	WBL 1111	110	1600	11	2.9	2.2	3.0		
02.6011.97.3	WBL 1115	150	2200	11	2.9	3.0	4.0		
02.6012.97.3	WBL 1312	120	1750	13	3.4	3.0	4.0	18	12.4