

Ride-on Floor Scrubber

Instructions for operation and maintenance

CATALOGUE

LIST	1
OPTIONAL PARTS	1
EXECEPTION CLAUSE	1
TECHNICAL DESCRIPTION	3
SYMBOLS USED IN THE MANUAL	4
GENERAL SAFETY REGULATIONS	5
I、 MACHINE PREPARATION	6
HANDLING THE PACKED MACHINE	6
HOW TO UNPACK THE MACHINE	6
OVERALL INTRODUCTION	7
TYPE OF BATTERY	8
BATTERY MAINTENANCE	8
BATTERY DISPOSAL	9
RECHARGING THE BATTERIES	9
BATTERY CHARGE LEVEL INDICATOR	10
HOW IT WORKS	10
BRUSH DRIVER	10
DAILURE AND PROTECTION	10
FILLING THE SOLUTION TANK	11
RECOVERY TANK	11
ASSEMBLING THE SQUEEGEE	12
ADJUSTING THE SQUEEGEE HEIGHT	12
ASSEMBLING THE BRUSH	13
EMPTY SOLUTION TANK DEVICE	13
II.WORK	14
PREPARATION	14
OVERFLOW DEVICE	15
III.DAILY MAINTENANCE	16
IV. WEEKLY MAINTENANCE CLEANING THE BRUSH	17
V. TROUBLE SHOOTING	19
VI. CHOOSING AND USING THE BRUSHES	20

List
Standard Packing List

order	name	unit	quantity
1	Machine	set	1
2	Charge cable	set	1
3	Battery cable	piece	1
4	Squeegee assembly	set	1
5	Suction pipe	piece	1
6	Manual	piece	1
7	QC certificate	piece	1



OPTIONAL PARTS

Pad holder	13"/"21"
Front squeegee blade rubber	grease proof
Rear squeegee blade rubber	grease proof

Replacement Cycle and Warranty Specification for Easily Wounded and Consumption Parts

name	recommended replacement cycle	warranty statement
battery	Charging 600 times	12 months
front squeegee blade rubber	300 hour	No warranty
rear squeegee blade rubber	500 hour	No warranty
brush	700 hour	No warranty
suction motor	1200 hour	12 months
Brush motor	4000 hour	12 months
Suction hose	1000 hour	No warranty
exhaust pipe	1000 hour	No warranty



EXCEPTION CLAUSE

1. Read and check the power supply size indicated on the nameplate before use, And confirm that the current power supply meets the requirements of this product. In case of product damage or personal injury caused by incorrect use of power supply, our company is not liable.
2. Do not use it beyond its rated load. If this causes damage to the parts, our company is not liable.
3. Do not use in ultra-extreme environments (acidic, alkaline, too low or too high ambient temperature), If any damage, accident or injury is caused by it, etc, our company is not liable.
4. Our company is not liable for failure and damage caused by failure to use, maintain, keep or put foreign bodies in.
5. Our company is not liable for damage or injury caused by unauthorized refitting of washing trucks ,etc.

ON CONSIGNMENT OF THE MACHINE

When the machine is consigned to the customer, an immediate check must be performed to ensure all the material mentioned in the shipping documents has been received, and also to check the machine has not suffered damage during transportation. If this is the case, the carrier must ascertain the extent of the damage at once, informing our customer service office. It is only by prompt action of this type that the missing material can be obtained, and compensation for damage successfully claimed.

To avoid harm to the operator and damage to the machine, please read the contents marked this symbol



carefully.

ATTENTION: Danger of exhalation of gas



and leakage of corrosive liquids



ATTENTION: danger of fire: do not go near with free flames.

INTRODUCTORY COMMENT

This is a TVX floor scrubbing machine which, by means of the mechanical action of the rotating brush and the chemical action of a water/detergent solution, can clean any type of flooring. As it advances, it also collects any removed dirt as well as the detergent solution not absorbed by the floor.

The machine must only be used for this purpose. Even the best machines will only work well if used correctly and kept in good working order. We therefore suggest you read this instruction booklet carefully and read it again whenever difficulties arise while using the machine. If necessary, remember that our assistance service (organized in collaboration with our dealers) is always available for advice or direct intervention.

INTENDED USE

The scrubbing machine is designed exclusively for the professional cleaning of surfaces and floors in industrial, commercial and public environments. The machine is only suitable for use in closed - or at least covered - locations.

The machine is not suitable for use in the rain, or under water jets. It is **FORBIDDEN** to use the machine for picking up dangerous dusts or inflammable liquids within places with a potentially explosive atmosphere. In addition, it is not suitable as a means of transport for people or objects.

TECHNICAL DESCRIPTION

TECHNICAL DESCRIPTION	UM	Single Brush	Double Brush
Clean width	mm	560	660
Squeegee width	mm	850	850
Working capacity, up to	M2/H	3600	4200
Disc brush	P/MM (¢)	1/560	2/330
Disc brush rotations	RPM	155	155
Brush motor	V/W	24/550	24/400*2
Maximum pressure on the brushes	KG	40	55
Traction motor	V/W	24/500	24/500
Maximum forward speed	Km/h	6.5	6.5
Maximum gradient with full load	%	18	18
Vacuum motor	V/W	24/500	24/500
Solution tank	L	85	85
Recovery tank	L	95	95
Minimum bending radius	mm	1216	1216
Machine dimensions (Excluding Squeegee)	mm	1350X640X990	1350X640X990
Packing size	mm	1480X630X1225	1480X630X1225
Battery compartment (length/width)	mm	390X390X290	390X390X290
Working voltage	V	24	24
Battery weight (max)	KG	2*35	2*35
Machine weight (empty and without batteries)	KG	155	155
Gross weight in running order (machine + batteries + water + operator)	KG	450	450

SYMBOLS USED IN THE MANUAL



Attention



Manual



Watch Your Hand



Warning injure hand



No open flames



Caution Danger of exhalation of gas



Recycle



Information



Warning corrosion



Caution shock



Dangerous waste



Lifting means

GENERAL SAFETY REGULATIONS

The regulations below must be carefully followed in order to avoid harm to the operator and damage to the machine.

- ◆ Read the labels on the machine carefully. Do not cover them for any reason and replace them immediately if they become damaged.
- ◆ The machine must be used exclusively by authorized, trained personnel.
- ◆ During the working of the machine, pay attention to other people and especially to children.
- ◆ Do not mix different types of detergent as this may produce harmful gases.
- ◆ Do not pack the machine when there is residual liquid in it.
- ◆ The storage temperature must be between -25°C and +55°C.
- ◆ Conditions of use: room temperature between 0°C and 40°C with relative humidity between 30 and 95%.
- ◆ Do not use the machine in an explosive atmosphere.
- ◆ Do not use the machine as a means of transport.
- ◆ Do not use acid solutions, which may damage the machine or harm the operator.
- ◆ Avoid working with the brushes when the machine is standing still, so as not to damage the floor.
- ◆ Do not vacuum inflammable liquids
- ◆ Do not use the device to collect dangerous powders.
- ◆ In the event of a fire, use a powder extinguisher. Do not use water.
- ◆ Do not knock against shelving or scaffolding, where there is a danger of falling objects.
- ◆ Select the operating speed according to the traction status.
- ◆ Do not use the machine on surfaces with an inclination greater than the one shown on the plate.
- ◆ When not in use, remove the keys and place the machine in a proper way to keep still.
- ◆ The machine is designed to carry out the washing and drying operations simultaneously. Different operations should only be carried out in areas where the passage of unauthorized persons is prohibited. Signal the presence of damp floors with suitable signs.
- ◆ If the machine does not work properly, check this is not caused by failure to carry out routine maintenance. Otherwise, request the intervention of your dealer After-sale Service Centre.
- ◆ If you need to replace any components, request the ORIGINAL spare parts from a dealer or Authorized Retailer..
- ◆ Only use the brushes supplied with the device, or those specified in the Use and Maintenance Manual.
- ◆ Pull down the emergency brake immediately when there is an operation risk.
- ◆ Before carrying out any maintenance work, switch off the machine and disconnect the battery connector.
- ◆ Make sure the whole electrical connection is recovered after maintenance.
- ◆ Do not remove any protection devices which require the use of special tools.
- ◆ Do not wash the machine with corrosive substances or with pressurized water.
- ◆ Send the machine to a Service Center nearby for servicing after 200 hours of use.
- ◆ To prevent the formation of scale in the solution tank filter, do not fill the tank with detergent solution many hours before using the machine.
- ◆ Before using the machine, check that all the hatches and covers are positioned as shown in this Manual.
- ◆ Before moving the recovery tank, empty the water.
- ◆ When disposing of consumption materials, observe the laws and regulations in force.

When your machine has reached the end of its long working life, dispose of the materials it contains in an appropriate manner (e.g. oil, batteries and electric parts), and bearing in mind that the machine itself was constructed using 100% recyclable materials.

I . MACHINE PREPARATION

HANDLING THE PACKED MACHINE

The machine is fixed to a pallet, which is specially designed for forklift handling..

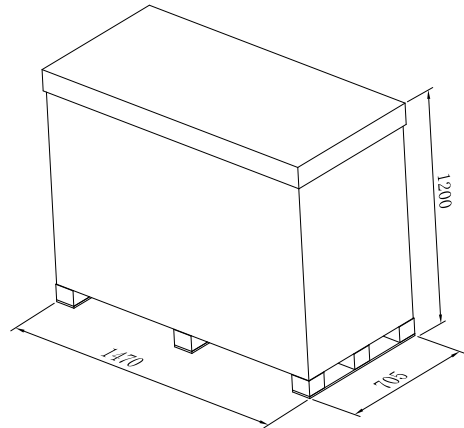
Overall dimensions of the package:

L: 1470 mm

W: 705mm

H: 1200 mm

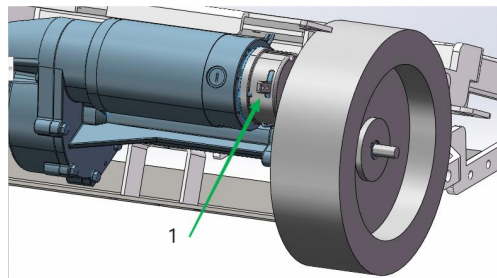
Total weight (Including batteries) : 310KG.



It is not possible to place more than two packages on top of each other.

HOW TO UNPACK THE MACHINE

1. Remove the outer packaging (as figure)
2. The machine is fixed to the pallet with wedges and belts which block the wheel.
3. Remove these belts.
4. Disengage the electronic brake, Pull the operating lever (Z) to the upper position (On the drive wheels)
5. Get the machine down from the pallet.



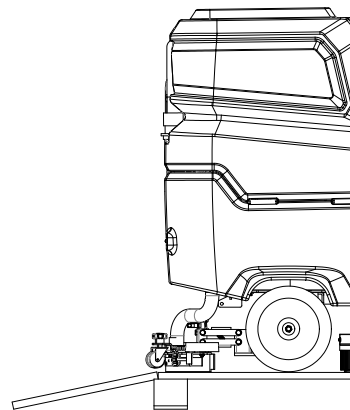
Keep the pallet for any future transport needs.



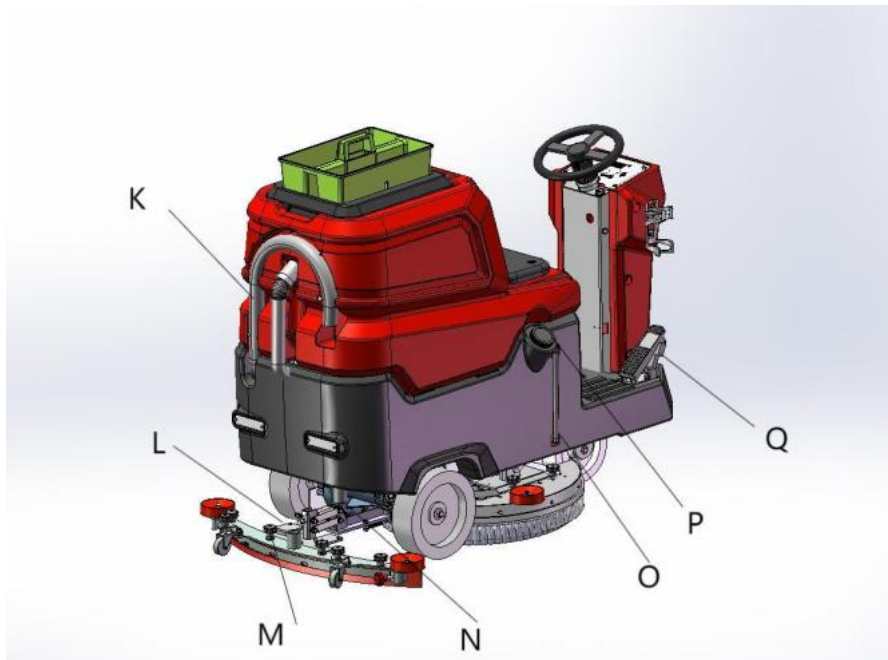
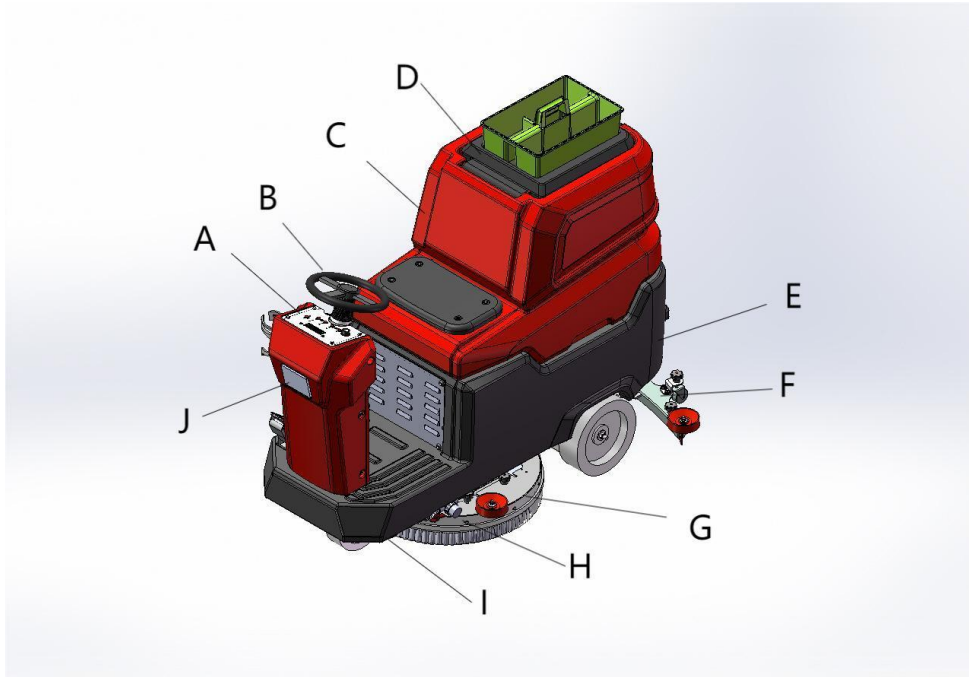
Handle the packed product with suitable lifting means that comply with the legal requirements.



During this operation, ensure that there are no people or objects near the machine.



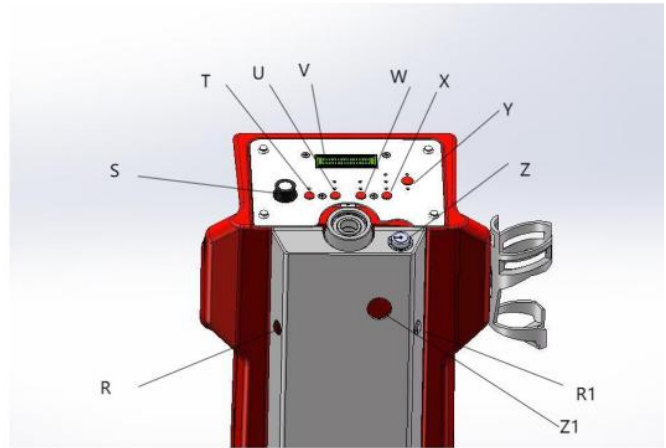
OVERALL INTRODUCTION



- | | | | |
|-------------------------|----------------------|------------------------------|--------------------------|
| A:Control panel | B: Steering wheel | C: Recovery tank | D: Recovery tank cover |
| E: Solution tank | F: Squeegee assemble | G: Brush head assembly | H:Filter |
| I: Solution tank outlet | J: Head light | K: Drain hose | L:Squeegee support upper |
| M: Adjusting nut | N: Suction hose | O: Liquid level display pipe | P: Water filling nozzle |
| Q:Drive pedal | | | |

Control panel

- Q. Lighting button
- S. Brush switch
- U. LCD display
- W. Water adjustment button
- Y. Key switch
- R1.Horn button
- R. Speed control knob
- T. Absorption button
- V. ECO button
- X. Forward and reverse buttons
- Z1.USB charging socket



TYPE OF BATTERY

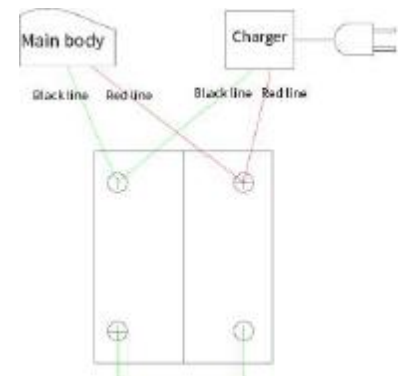
To power the machine there are three types of batteries below:

- Lead-acid battery composed of liquid plumbic acid, called WET Battery.
- Liquid electrolyte lead traction batteries, called AGM Battery.
- Sealed traction batteries with gas recombination or gel technology, called GEL Battery.

For a good operating performance, we suggest the use of two 12V - 100 Ah batteries. OTHER TYPES MUST NOT BE USED.

Max size of the battery: Length=330mm Width=170mm Height=240mm

Max weight of the battery: 35kg.



You are advised to always wear protective gloves, to avoid the risk of serious injury to your hands.



You are advised to only lift and move the batteries with lifting and transportation means suitable for the specific weight and size. Connected the battery clamp at the top of the box and then put the battery into the battery compartment.

BATTERY MAINTENANCE

The type of battery must satisfy the requirements of Standard CEI21-5 description

The dimensions of the battery compartment are: 390mmx390mmx290mm.

To insert batteries proceed as follows:

1. Lock the machine by activating the electronic brake, and then turn the lever (on the rear right-hand side of the machine) anticlockwise.
2. Make sure the recovery tank is empty, turn it as far as it will go
3. House the batteries in the compartment
4. Turn the recovery tank back into position.



You are advised to use airtight batteries only, to avoid the leakage of acids!



You are advised to always wear protective gloves, to avoid the risk of serious injury to your hands.



This process must be carried out by qualified personnel. An incorrect connection of the connector may cause problems with machine functioning.

BATTERY MAINTENANCE

For maintenance and recharging, respect the instructions provided by the battery manufacturer. Particular attention must be paid when choosing the battery charger, if not supplied, since there are different kinds according to the type and capacity of the battery.

BATTERY DISPOSAL

When the battery reaches the end of its working life, it must be disconnected by expert, trained personnel, then lifted to remove it from the battery compartment.



Exhausted batteries are classified as dangerous waste. When disposing, observe the laws and regulations in force.

RECHARGING THE BATTERIES

In order not to cause permanent damage to the batteries it is essential to avoid their complete discharge: arrange the recharge within a few minutes of the switching on of the flashing "discharged batteries" signal.

To connect the battery charger you must:

Move the machine near to the battery charger

Make sure the recovery tank is empty, otherwise empty it completely, and turn it as far as it will go:

To connect the battery charger you must:

To connect the battery charger you must:

Check the key switch is on "0"; if this is not the case, turn the key of the main switch anticlockwise to "0"

Disconnect the electric system connector from the battery connector, and connect the battery charger to the battery connector.



Keep the recovery tank open for the duration of the battery recharging cycle to allow gas fumes to escape.



Danger of gas exhalation and leakage of corrosive liquids.

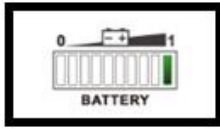


Danger of fire: do not go near with free flames.

BATTERY CHARGE LEVEL INDICATOR

The battery indicator has 8 positions and 1 blinking light.

10=100% blinking light = 0%



A few seconds after the indicator light comes on, the brush motor switches off automatically. With the remaining charge it is still possible, however, to complete the drying process before recharging.

HOW IT WORKS

Turn the key switch Z clockwise, and the LCD (V) will immediately light up.

Press the Forward and backward Y button, press the drive pedal (Q), and the machine moves forward or backward.

The walking speed is adjusted by changing the pressure applied on the pedal (Q).

Brush drive

Press the (T) brush motor button, the display light is on, and the brush starts to work. Press down again to stop the brush

Stop working.

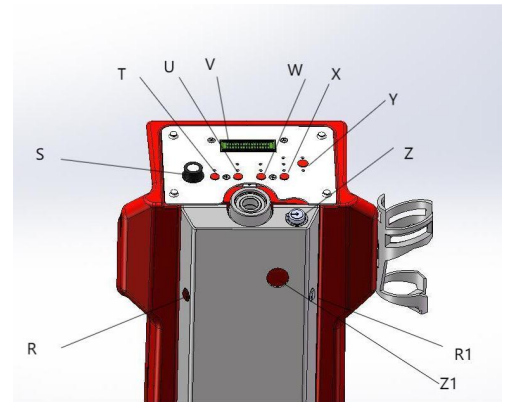
Cleaning water regulation

Press the (X) water adjustment button, and the display light will turn on in turn.

Water suction drive

Press the (U) suction motor button, the display light will turn on, and the suction head will start to work. Press again and the motor stops

Stop working.



The reverse speed is lower than the forward speed to comply with current health and safety standards

When making even brief reverse movements, make sure the squeegee is raised.

DAILURE AND PROTECTION

When battery is low, all operation prohibited.

FILLING THE SOLUTION TANK

Before filling the solution tank:

1. Check to ensure that the water tank is located on the left side of the front of the machine filter (I) properly closed;
2. Check to make sure clear water is discharged from the front left side of the machine Tube cover (J) properly closed.



The recovery tank must be completely empty each time the solution tank is filled.

The solution tank can be filled as below:

Removing the inlet cap (S) and filling it using a rubber tube, left side of the machine. Fill with clean water at a temperature not exceeding 50°C.

The amount present in the tank can be seen through the level pipe on the front-right of the seat.

The solution tank has a maximum capacity of about 85 liters. Add the liquid detergent to the tank in the concentration and manner indicated on the detergent manufacturer's label. To prevent the formation of excess foam that could damage the suction motor, use only the minimum amount of detergent that is necessary.



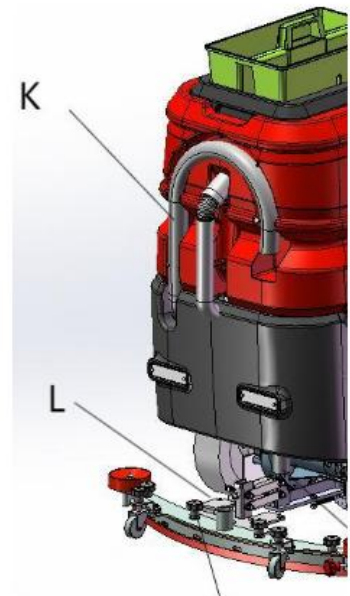
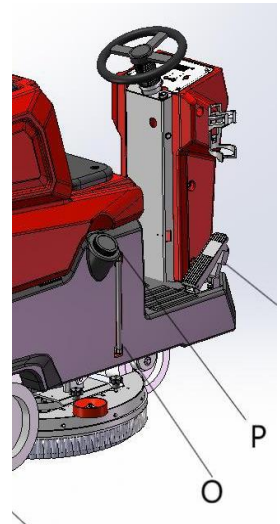
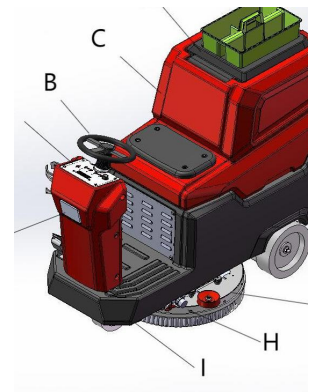
Always use detergents whose manufacturer's label indicates their suitability for scrubbing machines. Do not use acid or alkaline products or solvents without this indication. Acid or alkaline maintenance detergents can be used, as long as they have PH values between four and ten, and do not contain oxidizing agents, chlorine or bromine, formaldehyde, mineral solvents



Protective gloves should always be worn before handling detergents or acidic or alkaline solutions to avoid serious injury to hands



Always use low foam detergent. To avoid the production of foam, before starting to clean, put a minimum quantity of antifoam liquid into the recovery tank. Do not use pure acids.



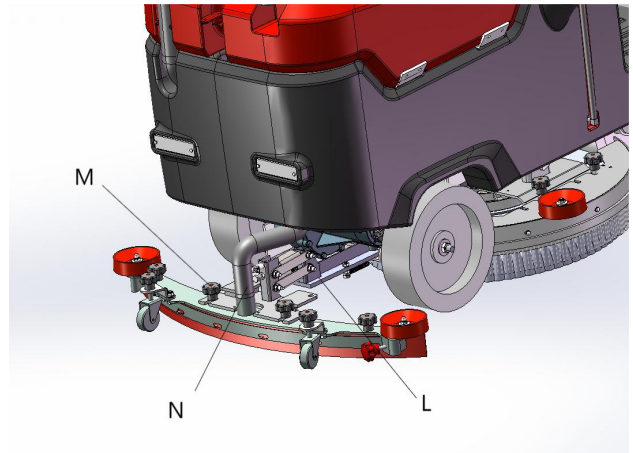
RECOVERYTANK

Make sure the recovery tank is empty, otherwise empty it completely. Check the cap of the drainage tube (K) (on the rear of the machine) is correctly closed.

ASSEMBLING THE SQUEEGEE

The squeegee, that for reasons of packaging comes disassembled from the machine, must be assembled while assembling the machine. Proceed as follows for assembly:

1. The machine is on the horizontal ground, turn the key on and off;
2. Loosen the adjustment nut (M) pre-installed with the Squeegee assembly;
3. Insert the left screw of the Squeegee assembly into the cut of the left slot of the Squeegee support (L);
4. Insert the right screw of the Squeegee assembly into the right slot of the Squeegee support (L), and then move the Squeegee assembly to the left as a whole part, so that the screws are in the transverse clamp slot, and then tighten the adjusting nut (M) to lock the Squeegee assembly;
5. Insert the Suction pipe (N) into the Squeegee connector.



These operations must be carried out using protective gloves to avoid any possible contact with the edges or tips of metal objects

ADJUSTING THE SQUEEGEE HEIGHT

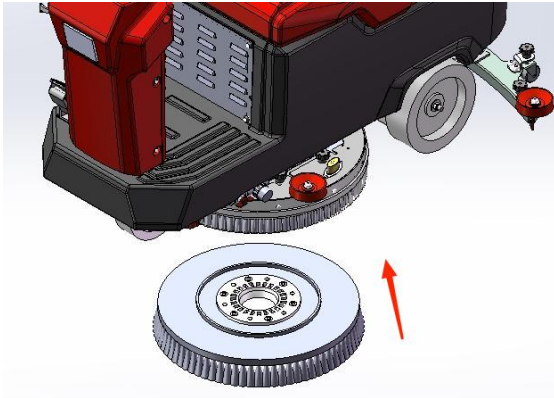
The height of the squeegee must be adjusted on the basis of the state of wear and tear of the rubber. Carry out the following operations for adjustment:

1. unscrew the locking nut;
2. Rotating wheels, adjusting its height;
3. Block it by tightening the locking nut once the required height is reached.

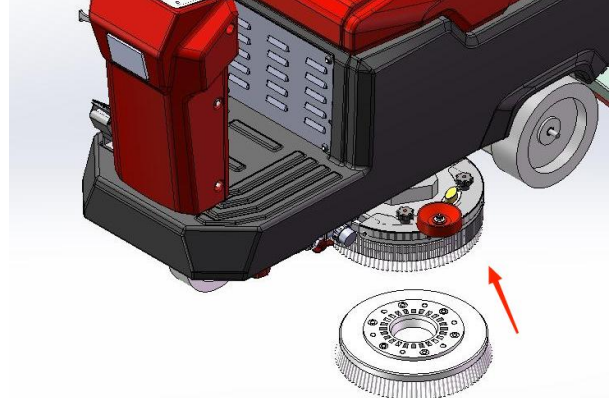
ASSEMBLING THE BRUSH

To assemble the brushes of the brush head body, proceed as follows:

1. The machine is stationary on the horizontal ground, turn off the key switch, and be in the state of power failure;
2. Insert the magnetic brush plate under the cover of the brush under the water tank, and contact the magnetic lock upward. The contact sound between the brush and the magnetic lock can be heard, and the brush plate will be installed.



Single brush



Double brush



You are always advised to wear protective gloves, to avoid the risk of serious injury to your hands. Cut down all electric current in order to protect your hands

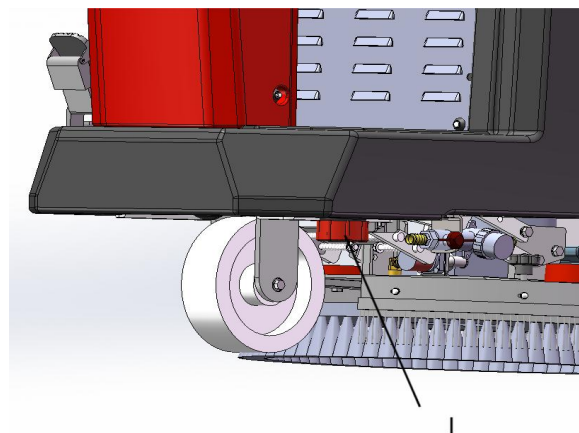
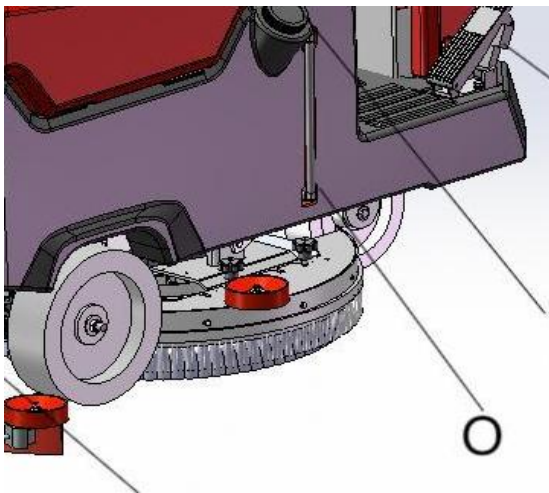


During this operation, ensure that there are no people or objects near the brush.

ATTENTION: Check the brush is correctly inserted. If this is not the case, the machine could move in an irregular, sudden manner.

EMPTY SOLUTION TANK DEVICE

1. To check the quantity of water in the solution tank there is a suitable level indicator tube (O) placed on the right of the driver seat.
2. Push machine to the effluent discharge point, unscrew the water drain-pipe (I), the water discharged into the sewer, until the solution tank is empty.
3. Tightened the Solution tank drain pipe (I) cap, and then put it back to its position.



II.WORK

PREPARATION



Make sure the recovery tank is empty, otherwise empty it completely;

1. Check the key switch (Z) is on “0”; if this is not the case, turn the key of the main switch to “0”.
2. Connect the battery connector to the electric system connector.
3. Check the electronic brake, it should be closed.
4. Sit on the driver’s seat.
5. Turn the key of the main switch a quarter of a rotation clockwise. The display on the instrument panel (V) will immediately come on. Please don't have any operation within 5 seconds after boot, the machine should be self-checking;
6. Press the brush motor button (T), press the suction motor button (U), and the squeegee support will fall by the linear actuator.

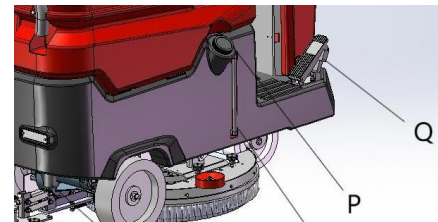
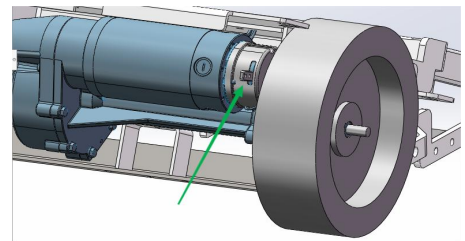
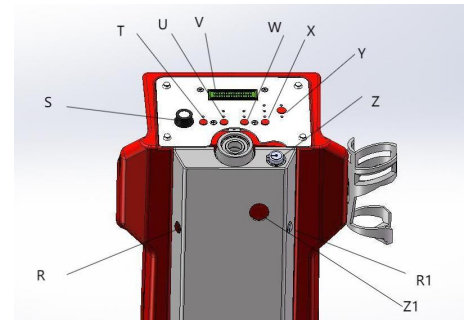


As soon as the forward movement pedal is activated with the brush head in its work position, the solenoid valve will start working and will begin dispensing detergent solution. As soon as the squeegee is in its work position, the vacuum motor will switch on and be working.

7. Press the accelerator pedal (Y) to start moving the machine;
8. Press the drive pedal (Q) and the machine starts to move; To stop the machine, take the foot off, drive pedal (M) up, the machine will grind to stop.
9. To go Backwards, first stop the machine, press the forward and backward button (Y), and then press the drive pedal (M), the machine begins to back;



During the first meters, check there is sufficient solution and that the squeegee dries perfectly. The machine will now begin to work with full efficiency until the battery is flat or the detergent solution has finished.



EMPTY WATER TANK ALARM DEVICE

When the water in the clean water tank is used up, the liquid level sensor will alarm in time, and the green light on the control panel will change to red. In order to avoid damaging the brush motor, the operation should be stopped. Fill it with clean water before it can work.

OVER FLOW DEVICE

When the water in the recovery tank is full, the liquid level sensor will alarm in time, and the green light on the control panel will change to a red light. In order to avoid damaging the suction motor, the machine should stop working and the recovery tank should be emptied.

AT THE END OF WORK

At the end of the work, and before carrying out any type of maintenance, perform the following operations:

1. Press the water absorption switch (W) to lift the Squeegee assembly (Q);
Press the brush switch (T)
Lift head assembly (H);

2. Move the machine to the designated drainage area.



Before performing any maintenance, remove the keys from the panel and disconnect the battery connector of the machine

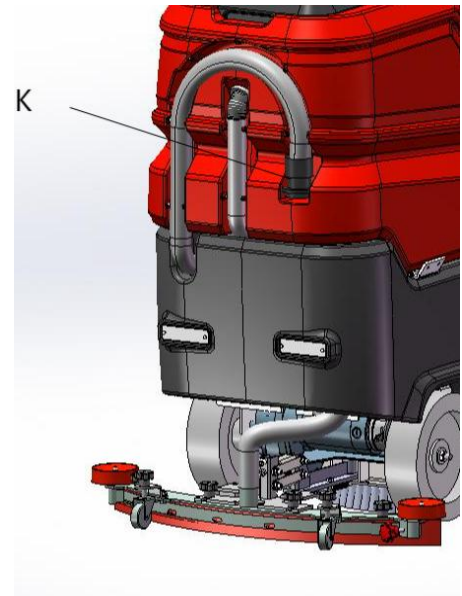
3. Turn the machine off by turning the key one quarter turn anticlockwise and remove it from the panel.

4. Disconnect the tube (K) from its seat, unscrew the drainage cap (H) and empty the recovery tank.

5. Screw the drainage cap and replace the tube (K) back to the seat.



Be sure to remove the key as well as tighten auxiliary brake on the drive wheel when the operator leaves the seat, and parked machine for a long time.



III . DAILY MAINTENANCE

CLEANING THE RECOVERY TANK

1. Bring the machine to the place provided for draining the water;
2. Disconnect the tube (K) from its seat, unscrew the drainage cap and empty the recovery tank;



Before performing any maintenance, remove the keys from the panel and disconnect the battery connector of the machine.

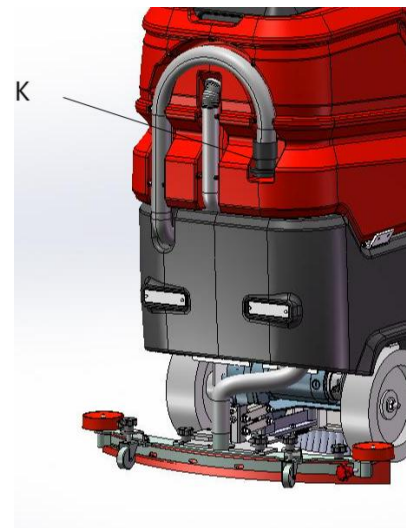


This operation must be carried out using gloves to protect against contact with dangerous solutions

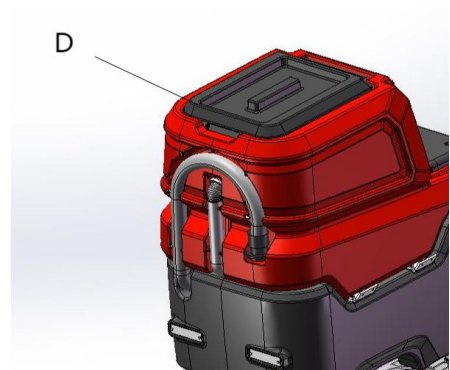
3. Lift the recovery tank (D);
4. Clean and rinse the recovery tank
5. Reassemble all the elements.



Be careful not to hit the recovery tank float directly, as this would enable water to enter the vacuum motor connected to it



D



CLEANING THE SOLUTION TANK FILTER

Careful cleaning of the detergent/water solution filter ensures a better working capacity. Proceed as follows for cleaning

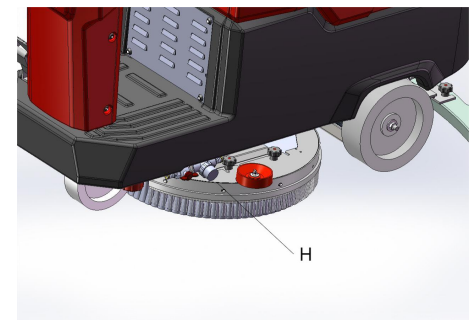
1. Check the main switch is on “0”;
2. Loosen the filter (H) cap on the front of the machine
3. Remove the internal filter cartridge and rinse everything thoroughly with running water
4. Reassemble all the elements



Before performing any maintenance, remove the keys from the panel and disconnect the battery connector



These operations must be carried out using gloves to protect against contact with dangerous solutions.



H

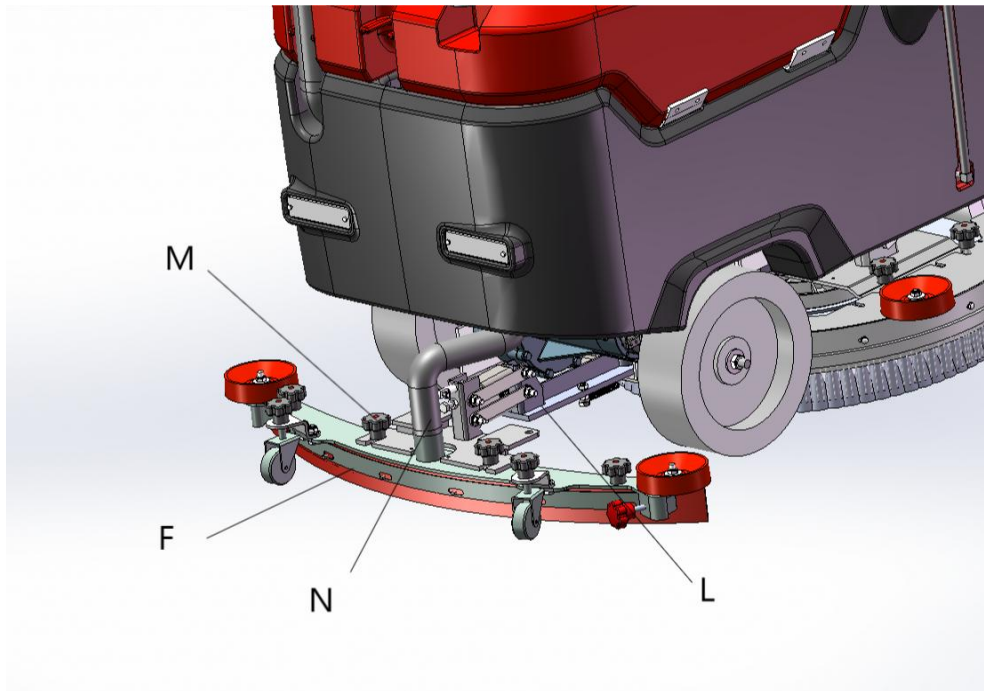
CLEANING THE SQUEEGEE

The careful cleaning of the whole vacuum unit ensures better drying and cleaning of the floor as well as greater duration of the suction motor.

1. Remove the tube (N) from the squeegee.
2. Release the Squeegee (L) fixed nut (M), then take down the squeegee (F).
3. Carefully clean the inside of the squeegee and rubbers.
4. Every week, or whenever suction seems to be unsatisfactory, check the squeegee tube is not obstructed. To clean it.
5. Reassemble all the elements again.



This operation must be carried out using gloves to protect against contact with dangerous solutions



CLEANING THE BATTERY COMPARTMENT

Empty the battery compartment each time you remove the batteries, check there is no fluids.



This operation must be carried out using gloves to protect against contact with dangerous solutions.



Danger of fire: do not go near with free flames.



Danger of exhalation of gas and leakage of corrosive liquids.

IV. WEEKLY MAINTENANCE

CLEANING THE BRUSH

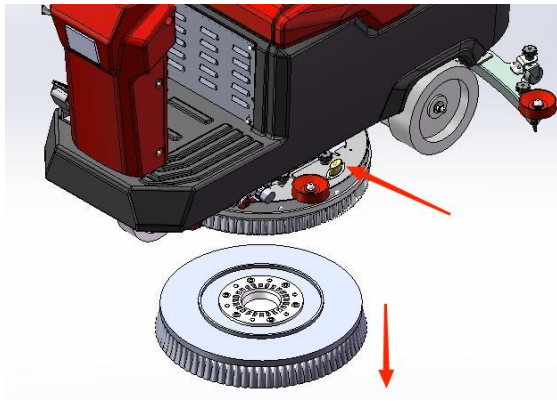
Thorough cleaning of the brush will guarantee a better working capacity. Proceed as follows for cleaning:

1. Check the main switch is on “0” (turn it to this position if necessary).
2. Press the yellow magnetic button on the cover of the brush tray, the brush tray falls off, and the cleaning brush tray is removed;turn down the brush.

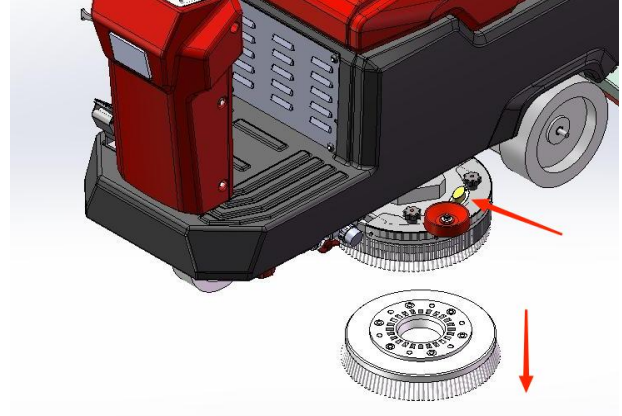


During this operation, ensure that there are no people or objects near the brush.

3. Take the brush and clean it under a flowing jet of water.
4. Reassemble it on the brush head body.



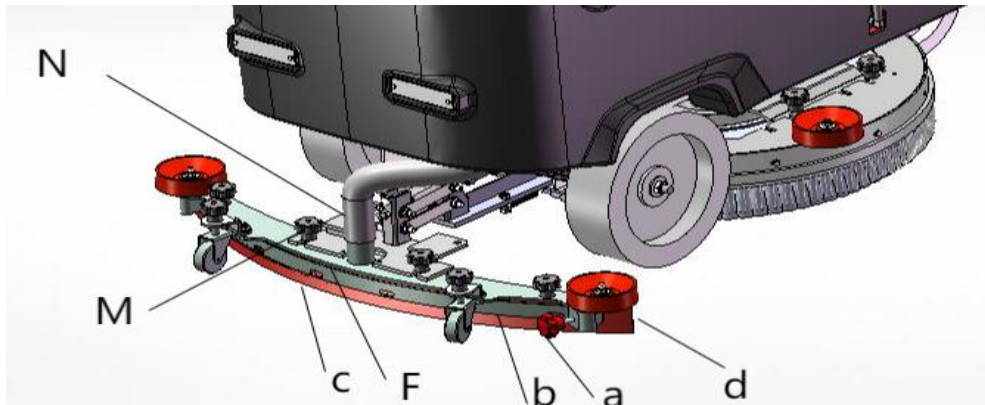
Single brush



Double brush

Replacing the squeegee rubbers

- 1 . Remove the tube (N) from the sleeve on the squeegee.
- 2 . Rotate the nut(M) the squeegee.
- 3 . Unthread the squeegee(F)
- 4 . Loosen the screw that block the rubber-pressing blade(a) and take down the plate stainless steel(b).
- 5 . Reassemble the rubber(c and d).
- 6 . Then reassemble all the elements.



Adjust the height of the Squeegee according to the rubber parts (see "Adjust the height of the Squeegee")

V. TROUBLE SHOOTING

Before you take it to repair or call our customer service to help, you should check out those problems.

Phenomena	Reason	Method
Brush motor can't work	<ol style="list-style-type: none"> 1. Check out whether electricity is good; 2. Check out whether motor switch is on; 3. Check out whether the voltage is good. 	<ol style="list-style-type: none"> 1. Plug in the power and make sure the fuses are normal work; 2. Turn on the switch of motor; 3. The batteries are fully charged
Water can't come out from the brush or slightly	<ol style="list-style-type: none"> 1. Filter or joint is clogged; 2. Clean the drier ground at first ,so the water can't catch up with it 3. The solenoid valve is clogged or rejected. 	<ol style="list-style-type: none"> 1. Take down the filter and joint ,then wash them; 2. If the ground is drier, you must spray it extra; 3. Take down the solenoid valve, then wash it .
Suction abate	<ol style="list-style-type: none"> 1. The cover of recovery tank is not sealed; 2. Hose clamp loose; 3. Suction Motor loose or defection ; 4. The suction hose is not completely blocked; 5. Battery low. 	<ol style="list-style-type: none"> 1. Check the seal rubber of cover and make sure the cover will be sealed 2. Check out and lock the hose clamp; 3. Make sure the motor install well and tighten the screw 4. Dredge the pipe 5. Charge the batteries.
Fuse crack of battery terminal and cable heating	<ol style="list-style-type: none"> 1. Cable can't tightened well that lead to bad contact ; 	<ol style="list-style-type: none"> 1. Tighten the screw;
Water absorption is not clean	<ol style="list-style-type: none"> 1. Suction motor do not work; 2. Suction hose is blocked; 3. The squeegee is blocked with something; 4. The squeegee is totally worn-out; 5. The height of the squeegee is not suitable. 	<ol style="list-style-type: none"> 1. Check out the motor (according to above) ; 2. Clean them ; 3. Clean them; 4. Change squeegee blade rubbers; 5. Adjust the height of the squeegee.
The brush do not clean well	<ol style="list-style-type: none"> 1. The motor of the brush can not work; 2. Dirt is too stubborn; 3. Brush is serious abrasion; 4. Something twine round the brush. 	<ol style="list-style-type: none"> 1. Check out the motor; 2. Use appropriate cleaning fluid; 3. Change the brush; 4. Clean them.

VI. CHOOSING AND USING THE BRUSHES

POLYPROPYLENE BRUSH (PPL)

Used on all types of floors. Good resistance to wear and tear, and hot water (no greater than 60°C). The Polypropylene brush is non-hygroscopic and therefore retains its characteristics even when working in wet conditions.

NYLON BRUSH

Used on all types of floors. Good resistance to wear and tear, and hot water (no greater than 60°C). The Nylon brush is hygroscopic and easy-extended; as a result it cannot retain its characteristics when working in wet conditions.

ABRASIVE BRUSH

The bristles of this type of brush are extremely hard. It is used to clean very dirty floors. To avoid floor damage, work only with the pressure strictly necessary.

STEEL BRUSH

It is made up of steel wire and artificial fiber blends and used to clean rough roads, floors with big joints or dirt which is difficult to clean up.

THICKNESS OF THE BRISTLES

Thicker bristles are more rigid and are therefore used on smooth floors or floors with small joints.

On uneven floors or those with deep joints, it is advisable to use softer bristles which can enter the gaps more easily.



Remember that when the bristles are worn and therefore too short, they will become rigid and are no longer able to penetrate and clean deep down. In this case, like with over-large bristles, the brush tends to jump.